

Heron 2Way | 2X8W

Product Reference

Environment Outdoor

Installation Floor Surface

Construction & Materials

Housing Die Cast Aluminium, Extruded Aluminium

Primary Lens Tempered Glass Visor

Primary Reflector -

Secondary Reflector -

Body Finish Black, Grey

Diffuser -

Antiglare Baffle -

Thermal Management

Heat Sink Material Die cast Aluminium

Cooling Technique Passive Cooling

Optical System

Beam Direction Fixed

Tilt No

Swivel Yes

Electrical System

Driven with Constant Current Driver

Input Voltage/Hz 220V- 240V/50-60Hz

Control Gear Included

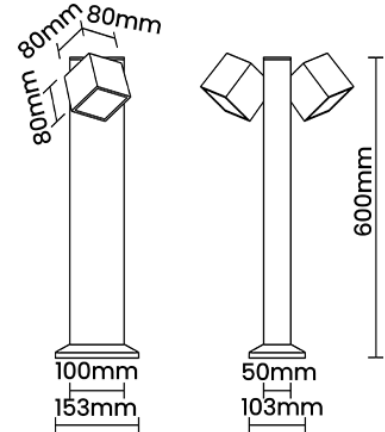
Mounting Integral

LED Power Watts 2x6.9W

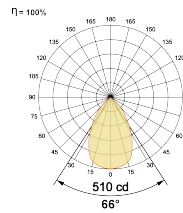
System Power Watts 2x7.9W

Operating Voltage Vin 220-240 Vac

Power Factor p.f. > 0.95



Light Distribution



LED Technology

Binning 3 Step MacAdam

LED Life Time @ L80/B10 >50000 hours

Colour Rendering (CRI) CRI80, CRI90

Led Type SMD mid power

LED Fitted -

Controls

Standard Switchable On/Off

Optional DDIM, Non Dimmable

Ordering Details

Code Example:	Name	Watt	CCT	CRI	Angle	Finish	Control
	Heron 2Way	2X8W	WW27K	CRI80	66°	SBL	On/Off

Select one from each column with highlighted values to create the ordering code

NAME	WATT	LUMEN	EFFICACY	CCT	CRI	ANGLE	FINISH	CONTROL
Heron 2Way	2X8W	2x316	40	2700K	WW27K	66°	Black	Non Dimmable
		2x324	41	3000K	WW30K		Grey	Dali Dimmable
		2x340	43	4000K	NW40K			
		2x356	45	5700K	CW57K			
Heron 2Way	2X8W			WW27K	CRI80	66°	SBL	On/Off

