

Spot on Framer SR 85

Narrow Beam | 28W

Product Reference

Environment Indoor

Installation Semi Recess

Construction & Materials

Housing Aluminium

Primary Lens PMMA

Primary Reflector -

Secondary Reflector -

Body Finish Black

Diffuser -

Antiglare Baffle -

Thermal Management

Heat Sink Material Aluminium

Cooling Technique Passive Cooling

Optical System

Beam Direction Adjustable

Tilt Yes

Swivel Yes

Electrical System

Driven with Constant Current Driver

Input Voltage/Hz 220V- 240V/50-60Hz

Control Gear Included

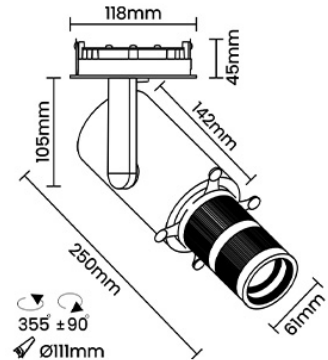
Mounting Remote

LED Power Watts 24.0W

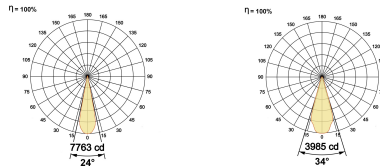
System Power Watts 27.6W

Operating Voltage Vin 220-240 Vac

Power Factor p.f. > 0.95



Light Distribution



LED Technology

Binning 3 Step MacAdam

LED Life Time @ L80/B10 >50000 hours

Colour Rendering (CRI) CRI80,CRI90

Led Type COB

LED Fitted Cree COB LED 36Vdc/700mA

Controls

Standard Switchable On/Off

Optional PDIM,DDIM,Non Dimmable

Ordering Details

| Code Example: | Name | Watt | CCT | CRI | Angle | Finish | Control |
|---------------|---|------------|--------------|--------------|----------------|------------|---------------|
| | Spot on Framer SR 85 Narrow Beam | 28W | WW27K | CRI80 | 24°-34° | SBL | On/Off |

Select one from each column with highlighted values to create the ordering code

| NAME | WATT | LUMEN | EFFICACY | CCT | CRI | ANGLE | FINISH | CONTROL |
|---|------------|-------|----------|--------------------|--------------|----------------|------------------|----------------------------|
| Spot on Framer SR 85 Narrow Beam | 28W | 1132 | 41 | 2700K WW27K | CRI80 | 24°-34° | Black SBL | Non Dimmable On/Off |
| | | 1159 | 42 | 3000K WW30K | CRI90 | | | Phase Dimmable PDIM |
| | | 1214 | 44 | 4000K NW40K | | | | Dali Dimmable DDIM |
| | | 1242 | 45 | 5700K CW57K | | | | |
| Spot on Framer SR 85 Narrow Beam | 28W | | | WW27K | CRI80 | 24°-34° | SBL | On/Off |