

Spot on Framer SR 55 | 14W

Product Reference

Environment Indoor
Installation Semi Recess

Construction & Materials

Housing Aluminium
Primary Lens PMMA
Primary Reflector -
Secondary Reflector -
Body Finish Black
Diffuser -
Antiglare Baffle -

Thermal Management

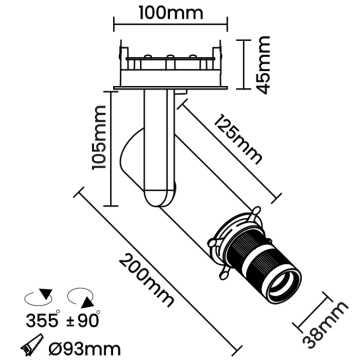
Heat Sink Material Aluminium
Cooling Technique Passive Cooling

Optical System

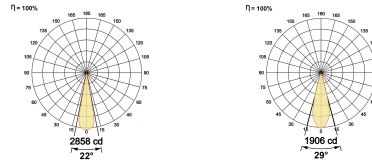
Beam Direction Adjustable
Tilt Yes
Swivel Yes

Electrical System

Driven with Constant Current Driver
Input Voltage/Hz 220V- 240V/50-60Hz
Control Gear Included
Mounting Remote
LED Power Watts 12.2W
System Power Watts 14.0W
Operating Voltage Vin 220-240 Vac
Power Factor p.f. > 0.95



Light Distribution



LED Technology

Binning 3 Step MacAdam
LED Life Time @ L80/B10 >50000 hours
Colour Rendering (CRI) CRI80,CRI90
Led Type COB
LED Fitted Cree COB LED 36Vdc/350mA

Controls

Standard Switchable On/Off
Optional PDIM,DDIM,Non Dimmable

Ordering Details

Code Example:	Name	Watt	CCT	CRI	Angle	Finish	Control
	Spot on Framer SR 55	14W	WW27K	CRI80	22°-29°	SBL	On/Off

Select one from each column with highlighted values to create the ordering code

NAME	WATT	LUMEN	EFFICACY	CCT	CRI	ANGLE	FINISH	CONTROL	
Spot on Framer SR 55	14W	392	28	2700K	WW27K	CRI80	Black	Non Dimmable	On/Off
		406	29	3000K	WW30K			Phase Dimmable	PDIM
		434	31	4000K	NW40K			Dali Dimmable	DDIM
		448	32	5700K	CW57K				
Spot on Framer SR 55	14W			WW27K	CRI80	22°-29°	SBL	On/Off	

