

Spot on Framer SR 45 | 9W

Product Reference

Environment Indoor

Installation Semi Recess

Construction & Materials

Housing Aluminium

Primary Lens PMMA

Primary Reflector -

Secondary Reflector -

Body Finish Black

Diffuser -

Antiglare Baffle -

Thermal Management

Heat Sink Material Aluminium

Cooling Technique Passive Cooling

Optical System

Beam Direction Adjustable

Tilt Yes

Swivel Yes

Electrical System

Driven with Constant Current Driver

Input Voltage/Hz 220V- 240V/50-60Hz

Control Gear Included

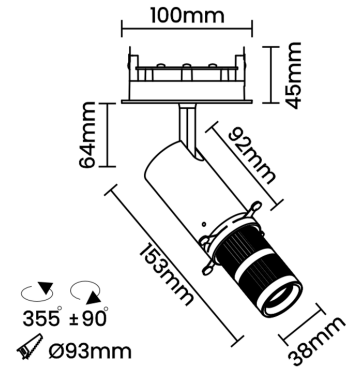
Mounting Remote

LED Power Watts 7.4W

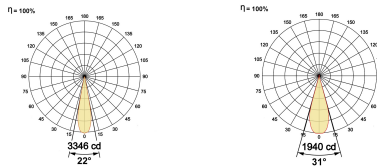
System Power Watts 8.5W

Operating Voltage V_{in} 220-240 Vac

Power Factor p.f. > 0.95



Light Distribution



LED Technology

Binning 3 Step MacAdam

LED Life Time @ L80/B10 >50000 hours

Colour Rendering (CRI) CRI80,CRI90

Led Type COB

LED Fitted Cree COB LED 36Vdc/200mA

Controls

Standard Switchable On/Off

Optional PDIM,DDIM,Non Dimmable

Ordering Details

Code Example:	Name	Watt	CCT	CRI	Angle	Finish	Control
	Spot on Framer SR 45	9W	WW27K	CRI80	22°-31°	SBL	On/Off

Select one from each column with highlighted values to create the ordering code

NAME	WATT	LUMEN	EFFICACY	CCT	CRI	ANGLE	FINISH	CONTROL	
Spot on Framer SR 45	9W	468	55	2700K	WW27K	22°-31°	Black SBL	Non Dimmable	On/Off
		485	57	3000K	WW30K			Phase Dimmable	PDIM
		510	60	4000K	NW40K			Dali Dimmable	DDIM
		519	61	5700K	CW57K				
Spot on Framer SR 45	9W			WW27K	CRI80		SBL	On/Off	

