

Spot On Framer ITA 55 | 18W

Product Reference

Environment Indoor
Installation Track Mounted

Construction & Materials

Housing Aluminium
Primary Lens PMMA
Primary Reflector -
Secondary Reflector -
Body Finish Black
Diffuser -
Antiglare Baffle -

Thermal Management

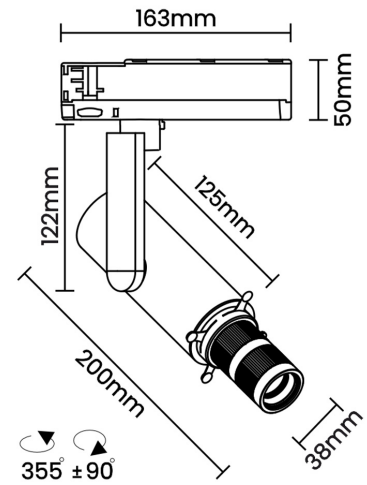
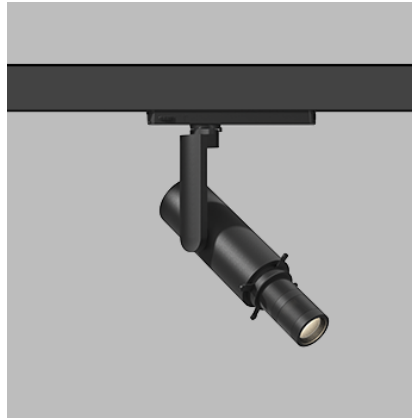
Heat Sink Material Aluminium
Cooling Technique Passive Cooling

Optical System

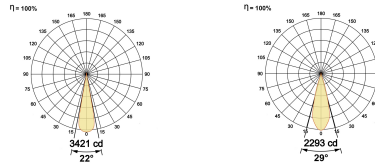
Beam Direction Adjustable
Tilt Yes
Swivel Yes

Electrical System

Driven with Constant Current Driver
Input Voltage/Hz 220V- 240V/50-60Hz
Control Gear Included
Mounting Remote
LED Power Watts 15.7W
System Power Watts 18.0W
Operating Voltage Vin 220-240 Vac
Power Factor p.f. > 0.95



Light Distribution



LED Technology

Binning 3 Step MacAdam
LED Life Time @ L80/B10 >50000 hours
Colour Rendering (CRI) CRI80,CRI90
Led Type COB
LED Fitted Cree COB LED 36Vdc/450mA

Controls

Standard Switchable On/Off
Optional Non Dimmable

Ordering Details

Code Example:	Name	Watt	CCT	CRI	Angle	Finish	Control
	Spot On Framer ITA 55	18W	WW27K	CRI80	22°-29°	SBL	On/Off

Select one from each column with highlighted values to create the ordering code

NAME	WATT	LUMEN	EFFICACY	CCT	CRI	ANGLE	FINISH	CONTROL
Spot On Framer ITA 55	18W	468	26	2700K	WW27K	22°-29°	Black SBL	Non Dimmable On/Off
		486	27	3000K	WW30K			
		522	29	4000K	NW40K			
		540	30	5700K	CW57K			
Spot On Framer ITA 55	18W			WW27K	CRI80	22°-29°	SBL	On/Off

