

Spotboy 48V 75 | 18W

Product Reference

Environment Indoor

Installation Track Mounted

Construction & Materials

Housing Die Cast Aluminium, Milled Aluminium

Primary Lens PMMA

Primary Reflector -

Secondary Reflector -

Body Finish White, Black

Diffuser -

Antiglare Baffle -

Thermal Management

Heat Sink Material Die cast Aluminium

Cooling Technique Passive Cooling

Optical System

Beam Direction Adjustable

Tilt Yes

Swivel Yes

Electrical System

Driven with Constant Voltage Driver

Input Voltage/Hz 48V

Control Gear Included

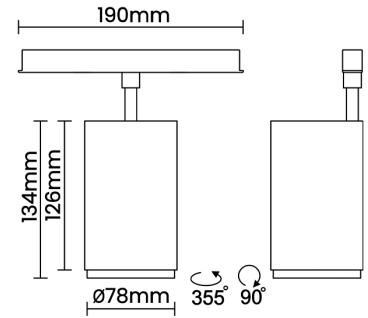
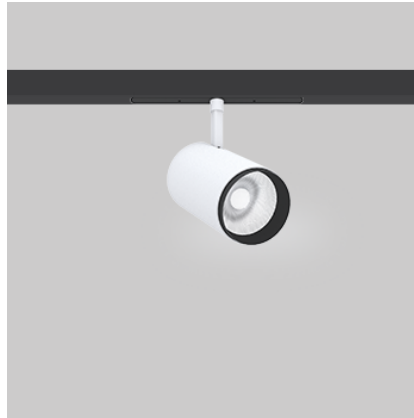
Mounting Remote

LED Power Watts 17.5W

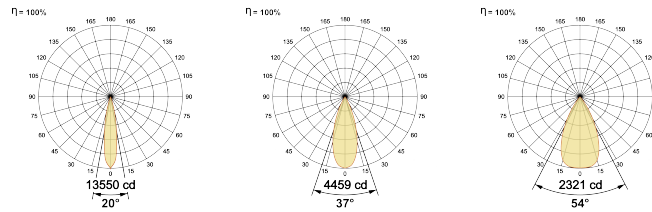
System Power Watts -

Operating Voltage Vin 48V

Power Factor p.f. -



Light Distribution



LED Technology

Binning 3 Step MacAdam

LED Life Time @ L80/B10 >50000 hours

Colour Rendering (CRI) CRI80, CRI90

Led Type COB

LED Fitted Cree COB LED 33V-36Vdc/500mA

Controls

Standard Switchable On/Off

Optional DDIM, BTM, CASAMBI, Non Dimmable

Ordering Details

Code Example:	Name	Watt	CCT	CRI	Angle	Finish	Control
	Spotboy 48V 75	18W	WW27K	CRI80	20°(SS)	SWH	On/Off

Select one from each column with highlighted values to create the ordering code

NAME	WATT	LUMEN	EFFICACY	CCT	CRI	ANGLE	FINISH	CONTROL
Spotboy 48V 75	18W	1849	106	2700K	WW27K	20°(SS)	White SWH	Non Dimmable On/Off
		1910	109	3000K	WW30K	37°(MD)	Black SBL	Dali Dimmable DDIM
		2010	115	4000K	NW40K	54°(WD)		Bluetooth Dimmable BTM
		2050	117	5700K	CW57K			Casambi CBTM
				2700K-5700K	TW			
				Warm to Dim	W2D			
Spotboy 48V 75	18W			WW27K	CRI80	20°(SS)	SWH	On/Off