

Spotboy 48V 50 | 12.6W

Product Reference

Environment Indoor

Installation Track Mounted

Construction & Materials

Housing Die Cast Aluminium, Milled Aluminium

Primary Lens PMMA

Primary Reflector -

Secondary Reflector -

Body Finish White, Black

Diffuser -

Antiglare Baffle -

Thermal Management

Heat Sink Material Die cast Aluminium

Cooling Technique Passive Cooling

Optical System

Beam Direction Adjustable

Tilt Yes

Swivel Yes

Electrical System

Driven with Constant Voltage Driver

Input Voltage/Hz 48V

Control Gear Included

Mounting Remote

LED Power Watts 12.6W

System Power Watts -

Operating Voltage Vin 48V

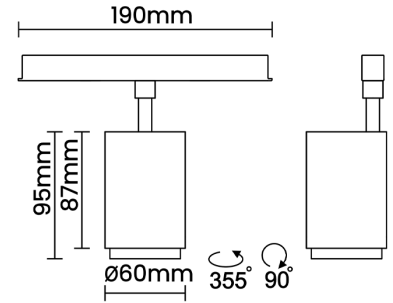
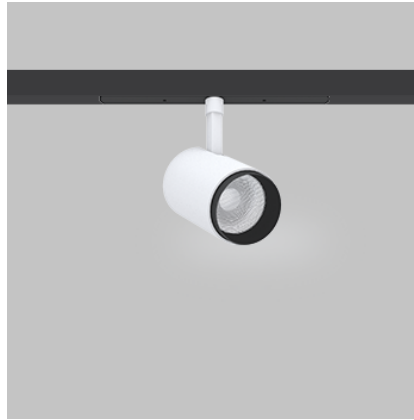
Power Factor p.f. -

Ordering Details

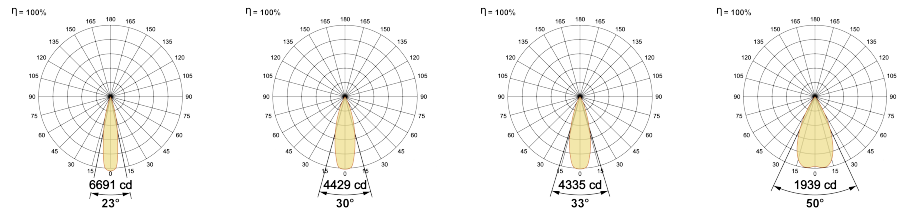
Code Example:	Name	Watt	CCT	CRI	Angle	Finish	Control
	Spotboy 48V 50	12.6W	WW27K	CRI80	23°(ss)	SWH	On/Off

Select one from each column with highlighted values to create the ordering code

NAME	WATT	LUMEN	EFFICACY	CCT	CRI	ANGLE	FINISH	CONTROL
Spotboy 48V 50	12.6W	1508	120	2700K	WW27K	CRI80	23°(SS)	White SWH Non Dimmable On/Off
		1552	123	3000K	WW30K	CRI90	30°(MD)	Black SBL Dali Dimmable DDIM
		1624	129	4000K	NW40K		33°(WD)	Bluetooth Dimmable BTTM
		1653	131	5700K	CW57K		50°(VWD)	Casambi CBTM
					2700K-5700K	TW		
			Warm to Dim	W2D				
Spotboy 48V 50	12.6W			WW27K	CRI80	23°(ss)	SWH	On/Off



Light Distribution



LED Technology

Binning 3 Step MacAdam

LED Life Time @ L80/B10 >50000 hours

Colour Rendering (CRI) CRI80, CRI90

Led Type COB

LED Fitted Cree COB LED 33V-36Vdc/350mA

Controls

Standard Switchable On/Off

Optional DDIM, BTTM, CASAMBI, Non Dimmable