

# Tango Pro 50 | 10W

## Product Reference

Environment Indoor  
Installation Track Mounted

## Construction & Materials

Housing Aluminium  
Primary Lens PMMA  
Primary Reflector -  
Secondary Reflector -  
Body Finish White,Black  
Diffuser -  
Antiglare Baffle -

## Thermal Management

Heat Sink Material Die cast Aluminium  
Cooling Technique Passive Cooling

## Optical System

Beam Direction Adjustable  
Tilt Yes  
Swivel Yes

## Electrical System

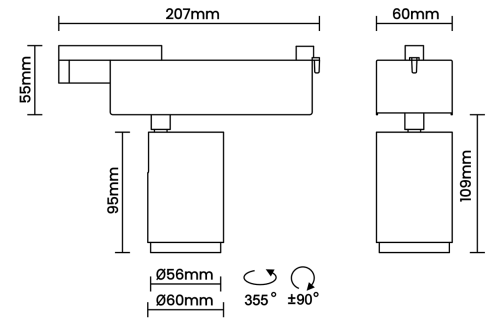
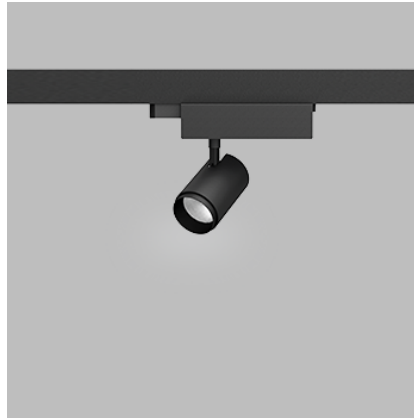
Driven with Constant Current Driver  
Input Voltage/Hz 220V- 240V/50-60Hz  
Control Gear Included  
Mounting Integral  
LED Power Watts 9.0W  
System Power Watts 10.3W  
Operating Voltage Vin 220-240 Vac  
Power Factor p.f. > 0.95

## Ordering Details

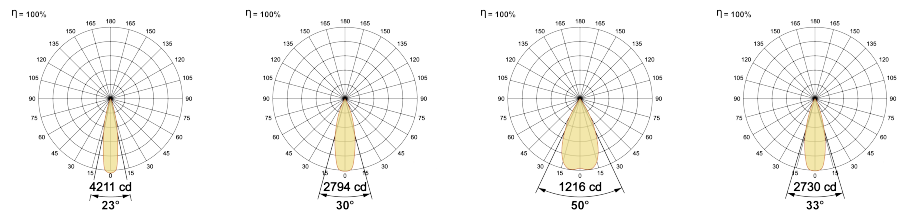
Code Example:	Name	Watt	CCT	CRI	Angle	Finish	Control
	<b>Tango Pro 50</b>	<b>10W</b>	<b>WW27K</b>	<b>CRI80</b>	<b>23°(SS)</b>	<b>SWH</b>	<b>On/Off</b>

Select one from each column with highlighted values to create the ordering code

NAME	WATT	LUMEN	EFFICACY	CCT	CRI	ANGLE	FINISH	CONTROL	
<b>Tango Pro 50</b>	<b>10W</b>	948	92	2700K	<b>WW27K</b>	<b>CRI80</b>	White	Non Dimmable	<b>On/Off</b>
		979	95	3000K	<b>WW30K</b>	CRI90	Black	Phase Dimmable	<b>PDIM</b>
		1030	100	4000K	<b>NW40K</b>			Dali Dimmable	<b>DDIM</b>
		1051	102	5700K	<b>CW57K</b>			Bluetooth Dimmable	<b>BTTM</b>
					2700K-5700K	<b>TW</b>			Casambi
				Warm to Dim	<b>W2D</b>				
<b>Tango Pro 50</b>	<b>10W</b>			<b>WW27K</b>	<b>CRI80</b>	<b>23°(SS)</b>	<b>SWH</b>	<b>On/Off</b>	



## Light Distribution



## LED Technology

Binning 3 Step MacAdam  
LED Life Time @ L80/B10 >50000 hours  
Colour Rendering (CRI) CRI80,CRI90  
Led Type COB  
LED Fitted Cree COB LED 33V-36Vdc/250mA

## Controls

Standard Switchable On/Off  
Optional PDIM,DDIM,BTTM,CASAMBI,Non Dimmable