

Tango 75 | 30W

Product Reference

Environment Indoor

Installation Track Mounted

Construction & Materials

Housing Extruded and Die Cast Aluminium

Primary Lens PMMA

Primary Reflector PC metallised

Secondary Reflector -

Body Finish White,Black

Diffuser -

Antiglare Baffle -

Thermal Management

Heat Sink Material Aluminium

Cooling Technique Passive Cooling

Optical System

Beam Direction Adjustable

Tilt Yes

Swivel Yes

Electrical System

Driven with Constant Current Driver

Input Voltage/Hz 220V- 240V/50-60Hz

Control Gear Included

Mounting Integral

LED Power Watts 25.6W

System Power Watts 29.4W

Operating Voltage V_{in} 220-240 Vac

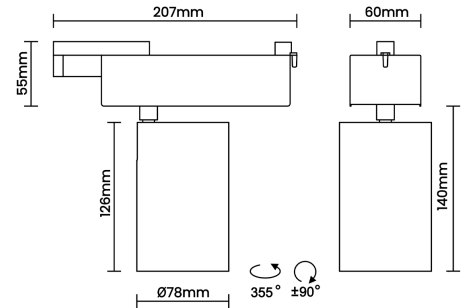
Power Factor p.f. > 0.95

Ordering Details

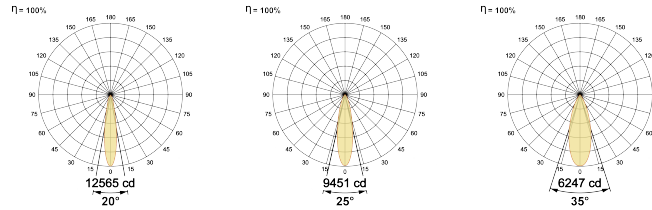
Code Example:	Name	Watt	CCT	CRI	Angle	Finish	Control
	Tango 75	30W	WW27K	CRI80	20°(SS)	SWH	On/off

Select one from each column with highlighted values to create the ordering code

NAME	WATT	LUMEN	EFFICACY	CCT	CRI	ANGLE	FINISH	CONTROL
Tango 75	30W	2617	89	2700K	WW27K	CRI80	20°(SS)	White SWH Non Dimmable On/Off
		2793	95	3000K	WW30K	CRI90	25°(MD)	Black SBL Phase Dimmable PDIM
		2999	102	4000K	NW40K		35°(WD)	Dali Dimmable DDIM
		3146	107	5700K	CW57K			Casambi CBTM
				2700K-5700K	TW			
			Warm to Dim	W2D				
Tango 75	30W			WW27K	CRI80	20°(SS)	SWH	On/off



Light Distribution



LED Technology

Binning 3 Step MacAdam

LED Life Time @ L80/B10 >50000 hours

Colour Rendering (CRI) CRI80,CRI90

Led Type COB

LED Fitted CREE COB LED 36Vdc/700mA

Controls

Standard Switchable On/Off

Optional PDIM,DDIM,CASAMBI,Non Dimmable