

# Spotboy Pro ITA 50 | 15W

## Product Reference

Environment Indoor  
Installation Track Mounted

## Construction & Materials

Housing Aluminium  
Primary Lens PMMA  
Primary Reflector -  
Secondary Reflector -  
Body Finish White,Black  
Diffuser -  
Antiglare Baffle -

## Thermal Management

Heat Sink Material Die cast Aluminium  
Cooling Technique Passive Cooling

## Optical System

Beam Direction Adjustable  
Tilt Yes  
Swivel Yes

## Electrical System

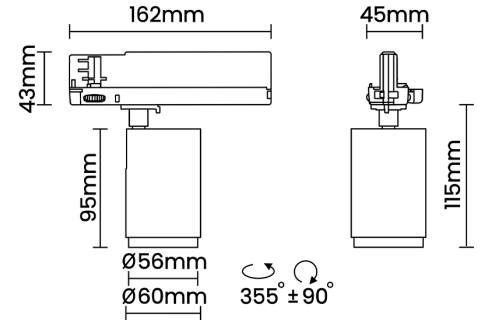
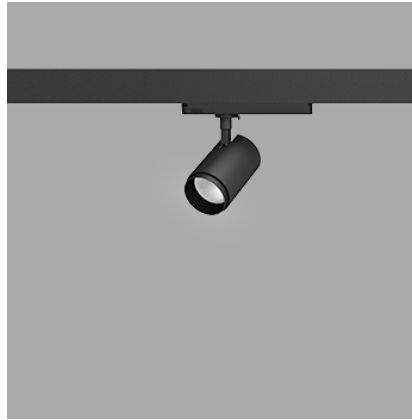
Driven with Constant Current Driver  
Input Voltage/Hz 220V- 240V/50-60Hz  
Control Gear Included  
Mounting Integral  
LED Power Watts 12.6W  
System Power Watts 14.5W  
Operating Voltage  $V_{in}$  220-240 Vac  
Power Factor p.f. > 0.95

## Ordering Details

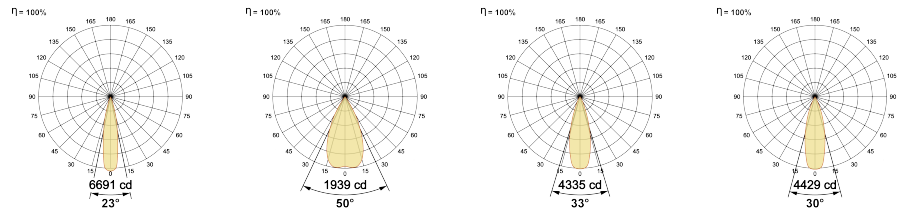
Code Example:	Name	Watt	CCT	CRI	Angle	Finish	Control
	Spotboy Pro ITA 50	15W	WW27K	CRI80	23°(SS)	SWH	On/Off

Select one from each column with highlighted values to create the ordering code

NAME	WATT	LUMEN	EFFICACY	CCT	CRI	ANGLE	FINISH	CONTROL
Spotboy Pro ITA 50	15W	1508	104	2700K	WW27K	23°(SS)	White SWH	Non Dimmable On/Off
		1552	107	3000K	WW30K	30°(MD)	Black SBL	
		1624	112	4000K	NW40K	33°(WD)		
		1653	114	5700K	CW57K	50°(VWD)		
Spotboy Pro ITA 50	15W			WW27K	CRI80	23°(SS)	SWH	On/Off



## Light Distribution



## LED Technology

Binning 3 Step MacAdam  
LED Life Time @ L80/B10 >50000 hours  
Colour Rendering (CRI) CRI80,CRI90  
Led Type COB  
LED Fitted Cree COB LED 33V-36Vdc/350mA

## Controls

Standard Switchable On/Off  
Optional Non Dimmable