

Go Pro 50 HGB | 20W

Product Reference

Environment Indoor

Installation Track Mounted

Construction & Materials

Housing Die Cast Aluminium

Primary Lens PMMA

Primary Reflector -

Secondary Reflector Anodised

Body Finish White,Black

Diffuser -

Antiglare Baffle -

Thermal Management

Heat Sink Material Die cast Aluminium

Cooling Technique Passive Cooling

Optical System

Beam Direction Adjustable

Tilt Yes

Swivel Yes

Electrical System

Driven with Constant Current Driver

Input Voltage/Hz 220V- 240V/50-60Hz

Control Gear Included

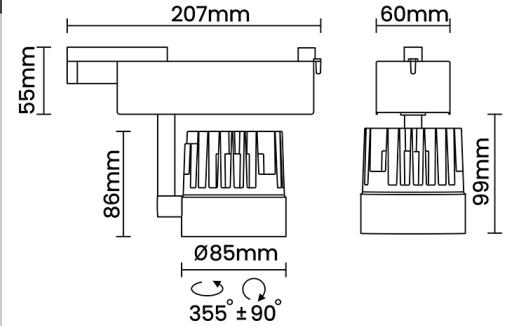
Mounting Integral

LED Power Watts 17.4W

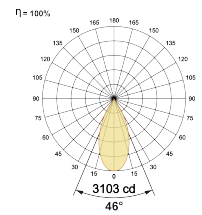
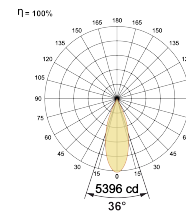
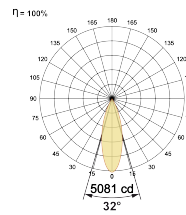
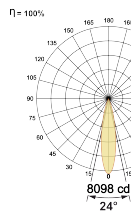
System Power Watts 20.0W

Operating Voltage V_{in} 220-240 Vac

Power Factor p.f. > 0.95



Light Distribution



LED Technology

Binning 3 Step MacAdam

LED Life Time @ L80/B10 >50000 hours

Colour Rendering (CRI) CRI80,CRI90

Led Type COB

LED Fitted CREE COB LED 36Vdc/500mA

Controls

Standard Switchable On/Off

Optional PDIM,DDIM,CASAMBI,Non Dimmable

Ordering Details

Code Example:	Name	Watt	CCT	CRI	Angle	Finish	Control
	Go Pro 50 HGB	20W	WW27K	CRI80	24°(SS)	SWH	On/Off

Select one from each column with highlighted values to create the ordering code

NAME	WATT	LUMEN	EFFICACY	CCT	CRI	ANGLE	FINISH	CONTROL	
Go Pro 50 HGB	20W	1880	94	2700K	WW27K	CR180	24°(SS)	White SWH	Non Dimmable On/Off
		1940	97	3000K	WW30K	CRI90	32°(MD)	Black SBL	Phase Dimmable PDIM
		2040	102	4000K	NW40K		36°(WD)		Dali Dimmable DDIM
		2080	104	5700K	CW57K		46°(VWD)		Casambi CBTM
				2700K-5700K Warm to Dim	TW W2D				
Go Pro 50 HGB	20W			WW27K	CR180	24°(SS)	SWH	On/Off	

Abby Lighting & Switchgear Limited 802 A, Fortune Terraces, New Link Road, Opp City Mall, Andheri West, Mumbai - 400053, India.

frontdesk@abbylighting.com, +91 9833645212

Abby reserves the right to discontinue any product from its collection at any time whatsoever and without prior notice

www.abbylighting.com