

# Go Pro 70 ITA | 36W

## Product Reference

Environment Indoor

Installation Track Mounted

## Construction & Materials

Housing Die Cast Aluminium

Primary Lens PMMA

Primary Reflector -

Secondary Reflector Anodised

Body Finish White,Black

Diffuser -

Antiglare Baffle -

## Thermal Management

Heat Sink Material Die cast Aluminium

Cooling Technique Passive Cooling

## Optical System

Beam Direction Adjustable

Tilt Yes

Swivel Yes

## Electrical System

Driven with Constant Current Driver

Input Voltage/Hz 220V- 240V/50-60Hz

Control Gear Included

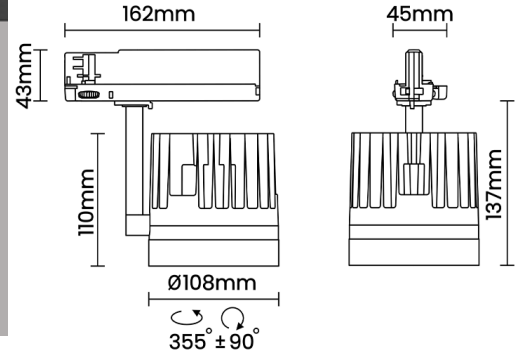
Mounting Integral

LED Power Watts 31.4W

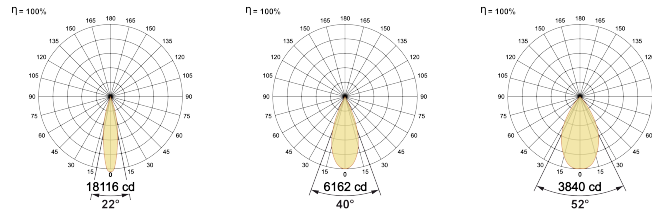
System Power Watts 36.1W

Operating Voltage  $V_{in}$  220-240 Vac

Power Factor p.f. > 0.95



## Light Distribution



## LED Technology

Binning 3 Step MacAdam

LED Life Time @ L80/B10 >50000 hours

Colour Rendering (CRI) CRI80,CRI90

Led Type COB

LED Fitted CREE COB LED 36Vdc/900mA

## Controls

Standard Switchable On/Off

Optional Non Dimmable

## Ordering Details

Code Example:	Name	Watt	CCT	CRI	Angle	Finish	Control
	<b>Go Pro 70 ITA</b>	<b>36W</b>	<b>WW27K</b>	<b>CRI80</b>	<b>22°(SS)</b>	<b>SWH</b>	<b>On/Off</b>

Select one from each column with highlighted values to create the ordering code

NAME	WATT	LUMEN	EFFICACY	CCT	CRI	ANGLE	FINISH	CONTROL
<b>Go Pro 70 ITA</b>	<b>36W</b>	2888	80	2700K	<b>WW27K</b>	<b>CRI80</b>	22°(SS)	White <b>SWH</b> Non Dimmable <b>On/Off</b>
		2960	82	3000K	<b>WW30K</b>	CRI90	40°(MD)	Black <b>SBL</b>
		3105	86	4000K	<b>NW40K</b>		52°(WD)	
		3177	88	5700K	<b>CW57K</b>			
<b>Go Pro 70 ITA</b>	<b>36W</b>			<b>WW27K</b>	<b>CRI80</b>	<b>22°(SS)</b>	<b>SWH</b>	<b>On/Off</b>