

Go Pro 50 ITA | 15W

Product Reference

Environment Indoor

Installation Track Mounted

Construction & Materials

Housing Die Cast Aluminium

Primary Lens PMMA

Primary Reflector -

Secondary Reflector Anodised

Body Finish White,Black

Diffuser -

Antiglare Baffle -

Thermal Management

Heat Sink Material Die cast Aluminium

Cooling Technique Passive Cooling

Optical System

Beam Direction Adjustable

Tilt Yes

Swivel Yes

Electrical System

Driven with Constant Current Driver

Input Voltage/Hz 220V- 240V/50-60Hz

Control Gear Included

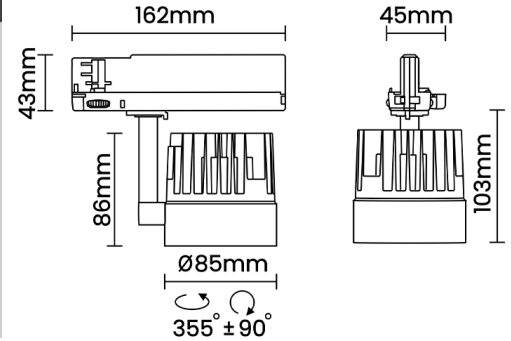
Mounting Integral

LED Power Watts 12.4W

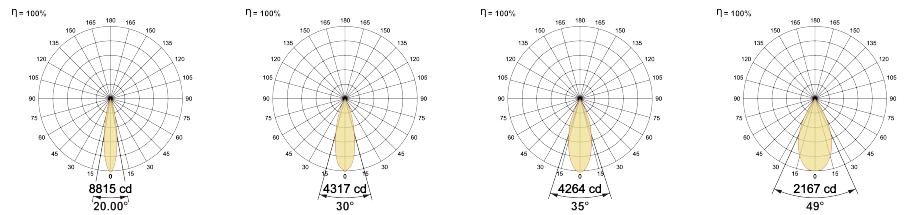
System Power Watts 14.2W

Operating Voltage V_{in} 220-240 Vac

Power Factor p.f. > 0.95



Light Distribution



LED Technology

Binning 3 Step MacAdam

LED Life Time @ L80/B10 >50000 hours

Colour Rendering (CRI) CRI80,CRI90

Led Type COB

LED Fitted CREE COB LED 36Vdc/350mA

Controls

Standard Switchable On/Off

Optional Non Dimmable

Ordering Details

| Code Example: | Name | Watt | CCT | CRI | Angle | Finish | Control |
|---------------|----------------------|------------|--------------|--------------|----------------|------------|---------------|
| | Go Pro 50 ITA | 15W | WW27K | CRI80 | 20°(SS) | SWH | On/Off |

Select one from each column with highlighted values to create the ordering code

| NAME | WATT | LUMEN | EFFICACY | CCT | CRI | ANGLE | FINISH | CONTROL |
|----------------------|------------|-------|----------|--------------|--------------|----------------|------------------|----------------------------|
| Go Pro 50 ITA | 15W | 1392 | 98 | 2700K | WW27K | CRI80 | White SWH | Non Dimmable On/Off |
| | | 1434 | 101 | 3000K | WW30K | CRI90 | Black SBL | |
| | | 1505 | 106 | 4000K | NW40K | | | |
| | | 1534 | 108 | 5700K | CW57K | | | |
| Go Pro 50 ITA | 15W | | | WW27K | CRI80 | 20°(SS) | SWH | On/Off |