

# Heron | 8W

## Product Reference

Environment Indoor

Installation Floor Surface

## Construction & Materials

Housing Die Cast Aluminium, Extruded Aluminium

Primary Lens Tempered Glass Visor

Primary Reflector -

Secondary Reflector -

Body Finish Black, Grey

Diffuser -

Antiglare Baffle -

## Thermal Management

Heat Sink Material Die cast Aluminium

Cooling Technique Passive Cooling

## Optical System

Beam Direction Fixed

Tilt No

Swivel Yes

## Electrical System

Driven with Constant Current Driver

Input Voltage/Hz 220V- 240V/50-60Hz

Control Gear Included

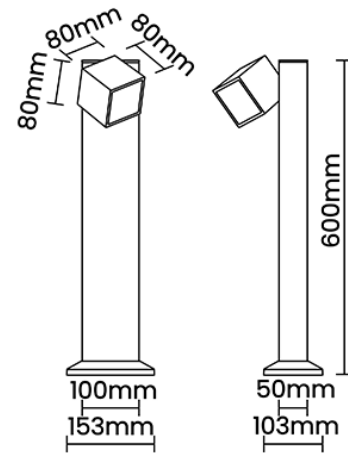
Mounting Integral

LED Power Watts 6.9W

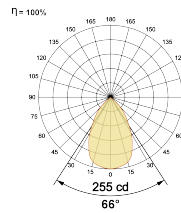
System Power Watts 7.9W

Operating Voltage  $V_{in}$  220-240 Vac

Power Factor p.f. > 0.95



## Light Distribution



## LED Technology

Binning 3 Step MacAdam

LED Life Time @ L80/B10 >50000 hours

Colour Rendering (CRI) CRI90

Led Type SMD mid power

LED Fitted -

## Controls

Standard Switchable On/Off

Optional DDIM, Non Dimmable

## Ordering Details

Code Example:	Name	Watt	CCT	CRI	Angle	Finish	Control
	<b>Heron</b>	<b>8W</b>	<b>WW27K</b>	<b>CRI90</b>	<b>66°</b>	<b>SBL</b>	<b>On/Off</b>

Select one from each column with highlighted values to create the ordering code

NAME	WATT	LUMEN	EFFICACY	CCT	CRI	ANGLE	FINISH	CONTROL
<b>Heron</b>	<b>8W</b>	316	40	2700K	<b>WW27K</b>	66°	Black	Non Dimmable
		324	41	3000K	<b>WW30K</b>		Grey	Dali Dimmable
		340	43	4000K	<b>NW40K</b>			
		356	45	5700K	<b>CW57K</b>			
<b>Heron</b>	<b>8W</b>			<b>WW27K</b>	<b>CRI90</b>	<b>66°</b>	<b>SBL</b>	<b>On/Off</b>

