



ABBY
LIGHTING

220V
240V 50/60Hz



CRI 80

IP65

L80B10
>50,000h

MacAdam
Step 3



Optional

CRI 90

Baylight FL | 135W

Product Reference

Environment Outdoor

Installation Ceiling Surface, Floor Surface

Construction & Materials

Housing Die Cast Aluminium

Primary Lens PMMA

Primary Reflector -

Secondary Reflector -

Body Finish White, Black, Grey

Diffuser -

Antiglare Baffle -

Thermal Management

Heat Sink Material Die cast Aluminium

Cooling Technique Passive Cooling

Optical System

Beam Direction Adjustable

Tilt Yes

Swivel Yes

Electrical System

Driven with Constant Current Driver

Input Voltage/Hz 220V- 240V/50-60Hz

Control Gear Included

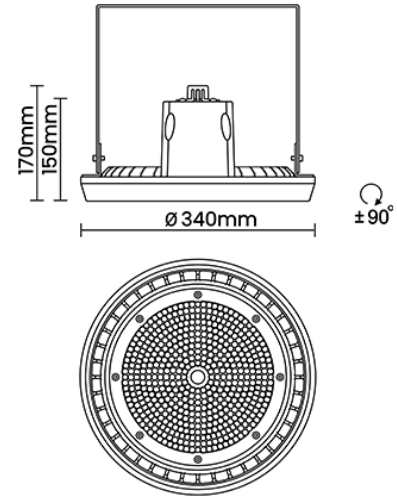
Mounting Integral

LED Power Watts 116.3W

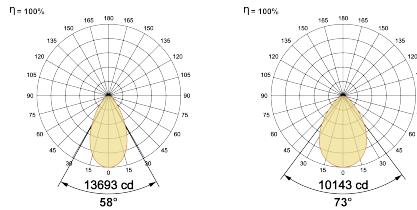
System Power Watts 133.7W

Operating Voltage V_{in} 220-240 Vac

Power Factor p.f. > 0.95



Light Distribution



LED Technology

Binning 3 Step MacAdam

LED Life Time @ L80/B10 >50000 hours

Colour Rendering (CRI) CRI80, CRI90

Led Type SMD mid power

LED Fitted Samsung Mid power LED array 40V-45Vdc/2900mA

Controls

Standard Switchable On/Off

Optional Non Dimmable

Ordering Details

Code Example:	Name	Watt	CCT	CRI	Angle	Finish	Control
	Baylight FL	135W	WW27K	CRI80	58°(MD)73°(WD)	SWH	On/Off

Select one from each column with highlighted values to create the ordering code

NAME	WATT	LUMEN	EFFICACY	CCT	CRI	ANGLE	FINISH	CONTROL
Baylight FL	135W	14974	112	2700K	WW27K	58°(MD)73°(WD)	White	Non Dimmable
		15509	116	3000K	WW30K		Black	
		16445	123	4000K	NW40K		Grey	
		16846	126	5700K	CW57K		GGT	
Baylight FL	135W			WW27K	CRI80	58°(MD)73°(WD)	SWH	On/Off

