

# Baylight FL | 102W

## Product Reference

Environment Outdoor

Installation Ceiling Surface, Floor Surface

## Construction & Materials

Housing Die Cast Aluminium

Primary Lens PMMA

Primary Reflector -

Secondary Reflector -

Body Finish White, Black, Grey

Diffuser -

Antiglare Baffle -

## Thermal Management

Heat Sink Material Die cast Aluminium

Cooling Technique Passive Cooling

## Optical System

Beam Direction Adjustable

Tilt Yes

Swivel Yes

## Electrical System

Driven with Constant Current Driver

Input Voltage/Hz 220V- 240V/50-60Hz

Control Gear Included

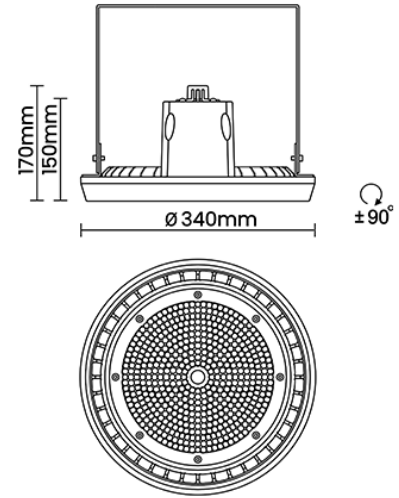
Mounting Integral

LED Power Watts 89.0W

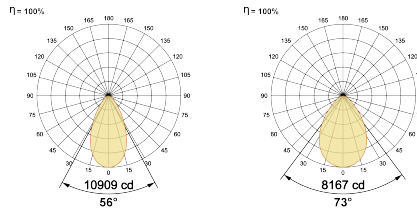
System Power Watts 102.3W

Operating Voltage  $V_{in}$  220-240 Vac

Power Factor p.f. > 0.95



## Light Distribution



## LED Technology

Binning 3 Step MacAdam

LED Life Time @ L80/B10 >50000 hours

Colour Rendering (CRI) CRI80, CRI90

Led Type SMD mid power

LED Fitted Samsung Mid power LED array 40V-45Vdc/2300mA

## Controls

Standard Switchable On/Off

Optional Non Dimmable

## Ordering Details

Code Example:	Name	Watt	CCT	CRI	Angle	Finish	Control
	Baylight FL	102W	WW27K	CRI80	56°(MD)	SWH	On/Off

Select one from each column with highlighted values to create the ordering code

NAME	WATT	LUMEN	EFFICACY	CCT	CRI	ANGLE	FINISH	CONTROL
Baylight FL	102W	11662	114	2700K	WW27K	CRI80	56°(MD)	White SWH
		12071	118	3000K	WW30K	CRI90	73°(WD)	Black SBL
		12788	125	4000K	NW40K			Grey GGT
		13197	129	5700K	CW57K			
Baylight FL	102W			WW27K	CRI80	56°(MD)	SWH	On/off

