

Go Pro 70 TT | 36W

Product Reference

Environment Indoor

Installation Ceiling Recess

Construction & Materials

Housing Die Cast Aluminium

Primary Lens PMMA

Primary Reflector -

Secondary Reflector Anodised

Body Finish White,Black

Diffuser -

Antiglare Baffle -

Thermal Management

Heat Sink Material Die cast Aluminium

Cooling Technique Passive Cooling

Optical System

Beam Direction Fixed

Tilt No

Swivel No

Electrical System

Driven with Constant Current Driver

Input Voltage/Hz 220V- 240V/50-60Hz

Control Gear Included

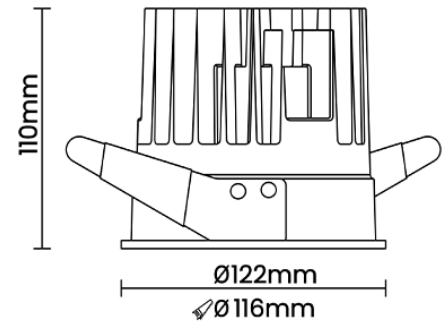
Mounting Remote

LED Power Watts 31.4W

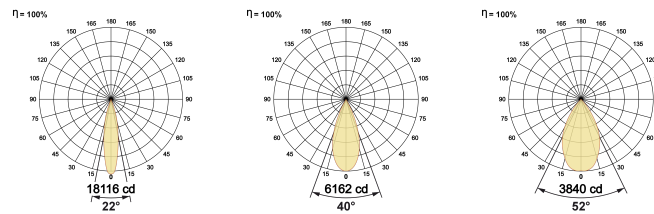
System Power Watts 36.1W

Operating Voltage Vin 220-240 Vac

Power Factor p.f. > 0.95



Light Distribution



LED Technology

Binning 3 Step MacAdam

LED Life Time @ L80/B10 >50000 hours

Colour Rendering (CRI) CRI80,CRI90

Led Type COB

LED Fitted CREE COB LED 36Vdc/900mA

Controls

Standard Switchable On/Off

Optional PDIM,DDIM,BTTM,CASAMBI,Non Dimmable

Ordering Details

Code Example:	Name	Watt	CCT	CRI	Angle	Finish	Control
	Go Pro 70 TT	36W	WW27K	CRI80	22°(SS)	SWH	On/Off

Select one from each column with highlighted values to create the ordering code

NAME	WATT	LUMEN	EFFICACY	CCT		CRI	ANGLE	FINISH		CONTROL	
Go Pro 70 TT	36W	2888	80	2700K	WW27K	CRI80	22°(SS)	White	SWH	Non Dimmable	On/Off
		2960	82	3000K	WW30K	CRI90	40°(MD)	Black	SBL	Phase Dimmable	PDIM
		3105	86	4000K	NW40K		52°(WD)			Dali Dimmable	DDIM
		3177	88	5700K	CW57K					Bluetooth Dimmable	BTTM
				2700K-5700K	TW						Casambi
				Warm to Dim	W2D						
Go Pro 70 TT	36W			WW27K		CRI80	22°(SS)	SWH		On/Off	