

Tiny FR | 12W

Product Reference

Environment Indoor

Installation Ceiling Recess

Construction & Materials

Housing Aluminium

Primary Lens Polycarbonate

Primary Reflector PC metallised

Secondary Reflector Anodised

Body Finish White,Black,Custom

Diffuser -

Antiglare Baffle -

Thermal Management

Heat Sink Material Die cast Aluminium

Cooling Technique Passive Cooling

Optical System

Beam Direction Fixed

Tilt No

Swivel No

Electrical System

Driven with Constant Current Driver

Input Voltage/Hz 220V- 240V/50-60Hz

Control Gear Included

Mounting Remote

LED Power Watts 10.7W

System Power Watts 12.3W

Operating Voltage Vin 220-240 Vac

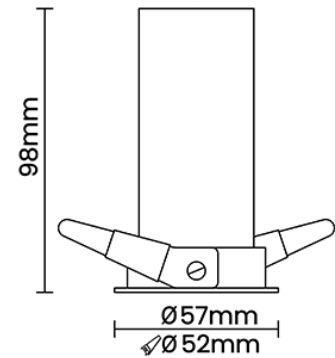
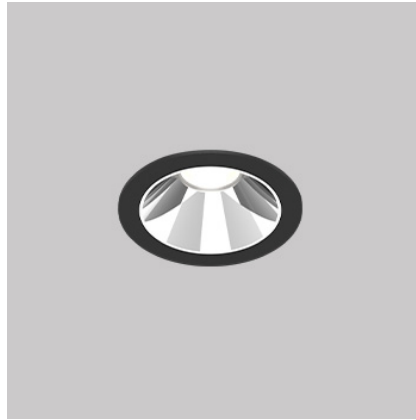
Power Factor p.f. > 0.95

Ordering Details

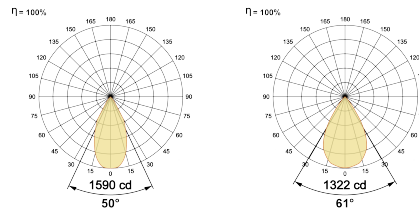
Code Example:	Name	Watt	CCT	CRI	Angle	Finish	Control
	Tiny FR	12W	WW27K	CRI80	50°(MD)	SWH	On/Off

Select one from each column with highlighted values to create the ordering code

NAME	WATT	LUMEN	EFFICACY	CCT		CRI	ANGLE	FINISH		CONTROL	
Tiny FR	12W	1070	87	2700K	WW27K	CRI80	50°(MD)	White	SWH	Non Dimmable	On/Off
		1107	90	3000K	WW30K	CRI90	61°(WD)	Black	SBL	Phase Dimmable	PDIM
		1169	95	4000K	NW40K			Custom	CSM	Dali Dimmable	DDIM
		1193	97	5700K	CW57K					Bluetooth Dimmable	BTTM
				2700K-5700K	TW					Casambi	CBTM
				Warm to Dim	W2D						
Tiny FR	12W			WW27K		CRI80	50°(MD)	SWH		On/Off	



Light Distribution



LED Technology

Binning 3 Step MacAdam

LED Life Time @ L80/B10 >50000 hours

Colour Rendering (CRI) CRI80,CRI90

Led Type COB

LED Fitted CREE COB LED 36Vdc/300mA

Controls

Standard Switchable On/Off

Optional PDIM,DDIM,BTTM,CASAMBI,Non Dimmable