

Tiny FR | 10W

Product Reference

Environment Indoor

Installation Ceiling Recess

Construction & Materials

Housing Aluminium

Primary Lens Polycarbonate

Primary Reflector PC metallised

Secondary Reflector Anodised

Body Finish White,Black,Custom

Diffuser -

Antiglare Baffle -

Thermal Management

Heat Sink Material Die cast Aluminium

Cooling Technique Passive Cooling

Optical System

Beam Direction Fixed

Tilt No

Swivel No

Electrical System

Driven with Constant Current Driver

Input Voltage/Hz 220V- 240V/50-60Hz

Control Gear Included

Mounting Remote

LED Power Watts 8.7W

System Power Watts 10.0W

Operating Voltage Vin 220-240 Vac

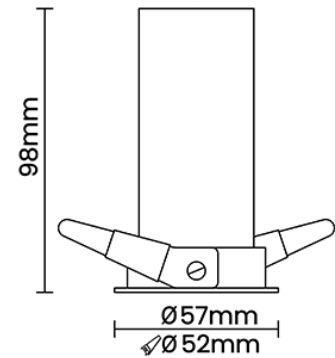
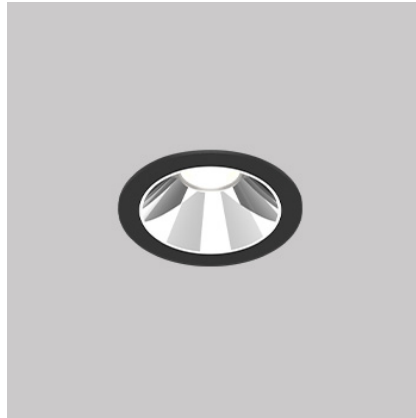
Power Factor p.f. > 0.95

Ordering Details

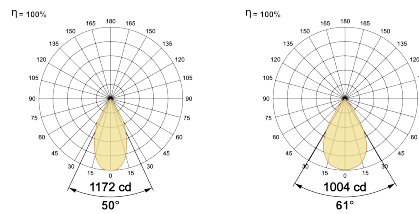
| Code Example: | Name | Watt | CCT | CRI | Angle | Finish | Control |
|---------------|---------|------|-------|-------|---------|--------|---------|
| | Tiny FR | 10W | WW27K | CRI80 | 50°(MD) | SWH | On/Off |

Select one from each column with highlighted values to create the ordering code

| NAME | WATT | LUMEN | EFFICACY | CCT | CRI | ANGLE | FINISH | CONTROL | |
|---------|------|-------|----------|-------------|-------|---------|---------|------------|------------------------|
| Tiny FR | 10W | 810 | 81 | 2700K | WW27K | CRI80 | 50°(MD) | White SWH | Non Dimmable On/Off |
| | | 840 | 84 | 3000K | WW30K | CRI90 | 61°(WD) | Black SBL | Phase Dimmable PDIM |
| | | 880 | 88 | 4000K | NW40K | | | Custom CSM | Dali Dimmable DDIM |
| | | 910 | 91 | 5700K | CW57K | | | | Bluetooth Dimmable BTM |
| | | | | 2700K-5700K | TW | | | | Casambi CBTM |
| | | | | Warm to Dim | W2D | | | | |
| Tiny FR | 10W | | | WW27K | CRI80 | 50°(MD) | SWH | On/off | |



Light Distribution



LED Technology

Binning 3 Step MacAdam

LED Life Time @ L80/B10 >50000 hours

Colour Rendering (CRI) CRI80,CRI90

Led Type COB

LED Fitted CREE COB LED 36Vdc/250mA

Controls

Standard Switchable On/Off

Optional PDIM,DDIM,BTMM,CASAMBI,Non Dimmable