

Tiny AR | 10W

Product Reference

Environment Indoor

Installation Ceiling Recess

Construction & Materials

Housing Aluminium

Primary Lens Polycarbonate

Primary Reflector PC metallised

Secondary Reflector Anodised

Body Finish White,Black,Custom

Diffuser -

Antiglare Baffle -

Thermal Management

Heat Sink Material Die cast Aluminium

Cooling Technique Passive Cooling

Optical System

Beam Direction Fixed

Tilt Yes

Swivel No

Electrical System

Driven with Constant Current Driver

Input Voltage/Hz 220V- 240V/50-60Hz

Control Gear Included

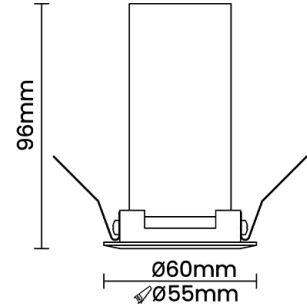
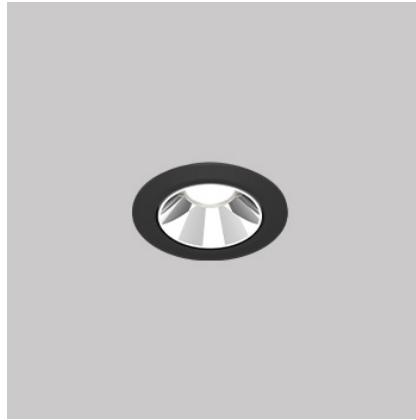
Mounting Remote

LED Power Watts 8.7W

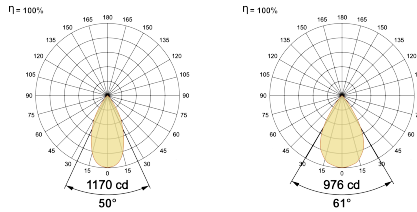
System Power Watts 10.0W

Operating Voltage Vin 220-240 Vac

Power Factor p.f. > 0.95



Light Distribution



LED Technology

Binning 3 Step MacAdam

LED Life Time @ L80/B10 >50000 hours

Colour Rendering (CRI) CRI80,CRI90

Led Type COB

LED Fitted CREE COB LED 36Vdc/250mA

Controls

Standard Switchable On/Off

Optional PDIM,DDIM,BTTM,CASAMBI,Non Dimmable

Ordering Details

Code Example:	Name	Watt	CCT	CRI	Angle	Finish	Control
	Tiny AR	10W	WW27K	CRI80	50°(MD)	SWH	On/Off

Select one from each column with highlighted values to create the ordering code

NAME	WATT	LUMEN	EFFICACY	CCT	CRI	ANGLE	FINISH	CONTROL	
Tiny AR	10W	820	82	2700K	WW27K	CRI80	50°(MD)	White SWH	Non Dimmable On/Off
		850	85	3000K	WW30K	CRI90	61°(WD)	Black SBL	Phase Dimmable PDIM
		890	89	4000K	NW40K			Custom CSM	Dali Dimmable DDIM
		920	92	5700K	CW57K				Bluetooth Dimmable BTTM
					2700K-5700K	TW			
			Warm to Dim	W2D					
Tiny AR	10W			WW27K	CRI80	50°(MD)	SWH	On/off	

