

Spotboy SR 75 | 22W

Product Reference

Environment Indoor

Installation Semi Recess

Construction & Materials

Housing Die Cast Aluminium

Primary Lens PMMA

Primary Reflector PC metallised

Secondary Reflector -

Body Finish White,Black,Custom

Diffuser -

Antiglare Baffle -

Thermal Management

Heat Sink Material Die cast Aluminium

Cooling Technique Passive Cooling

Optical System

Beam Direction Adjustable

Tilt Yes

Swivel Yes

Electrical System

Driven with Constant Current Driver

Input Voltage/Hz 220V- 240V/50-60Hz

Control Gear Included

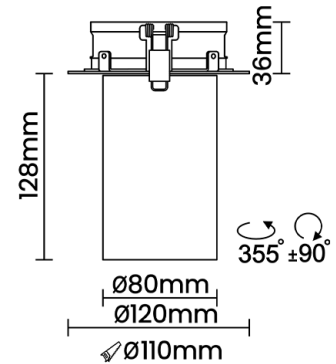
Mounting Remote

LED Power Watts 18.9W

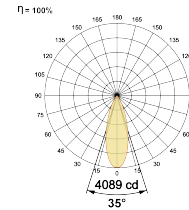
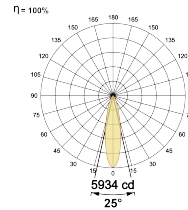
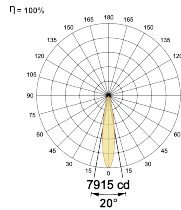
System Power Watts 21.7W

Operating Voltage Vin 220-240 Vac

Power Factor p.f. > 0.95



Light Distribution



LED Technology

Binning 3 Step MacAdam

LED Life Time @ L80/B10 >50000 hours

Colour Rendering (CRI) CRI80,CRI90

Led Type COB

LED Fitted CREE COB LED 36Vdc/500mA

Controls

Standard Switchable On/Off

Optional PDIM,DDIM,BTTM,CASAMBI,Non Dimmable

Ordering Details

Code Example:	Name	Watt	CCT	CRI	Angle	Finish	Control
	Spotboy SR 75	22W	WW27K	CRI80	20°(SS)	SWH	On/Off

Select one from each column with highlighted values to create the ordering code

NAME	WATT	LUMEN	EFFICACY	CCT	CRI	ANGLE	FINISH	CONTROL
Spotboy SR 75	22W	1671	77	2700K	WW27K	CRI80	20°(SS)	White SWH Non Dimmable On/Off
		1779	82	3000K	WW30K	CRI90	25°(MD)	Black SBL Phase Dimmable PDIM
		1931	89	4000K	NW40K		35°(WD)	Custom CSM Dali Dimmable DDIM
		1975	91	5700K	CW57K			Bluetooth Dimmable BTTM
						2700K-5700K Warm to Dim	TW W2D	
Spotboy SR 75	22W			WW27K	CRI80	20°(SS)	SWH On/Off	

