

Spotboy SR 50 2Way | 2X15W

Product Reference

Environment Indoor

Installation Semi Recess

Construction & Materials

Housing Die Cast Aluminium, Milled Aluminium

Primary Lens PMMA

Primary Reflector PC metallised

Secondary Reflector -

Body Finish White, Black, Custom

Diffuser -

Antiglare Baffle -

Thermal Management

Heat Sink Material Die cast Aluminium

Cooling Technique Passive Cooling

Optical System

Beam Direction Adjustable

Tilt Yes

Swivel Yes

Electrical System

Driven with Constant Current Driver

Input Voltage/Hz 220V- 240V/50-60Hz

Control Gear Included

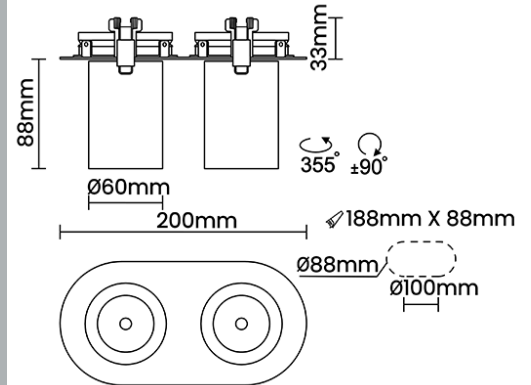
Mounting Remote

LED Power Watts 2x12.6W

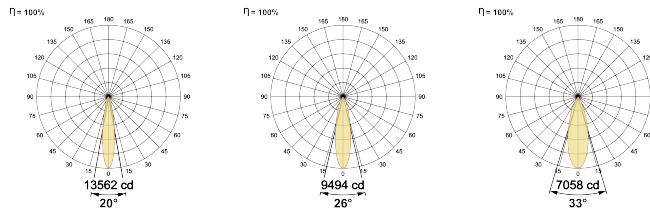
System Power Watts 2x14.5W

Operating Voltage V_{in} 220-240 Vac

Power Factor p.f. > 0.95



Light Distribution



LED Technology

Binning 3 Step MacAdam

LED Life Time @ L80/B10 >50000 hours

Colour Rendering (CRI) CRI80, CRI90

Led Type COB

LED Fitted CREE COB LED 36Vdc/350mA

Controls

Standard Switchable On/Off

Optional PDIM, DDIM, BTM, CASAMBI, Non Dimmable

Ordering Details

Code Example:	Name	Watt	CCT	CRI	Angle	Finish	Control
	Spotboy SR 50 2Way	2X15W	WW27K	CRI80	20°(SS)	SWH	On/Off

Select one from each column with highlighted values to create the ordering code

NAME	WATT	LUMEN	EFFICACY	CCT	CRI	ANGLE	FINISH	CONTROL
Spotboy SR 50 2Way	2X15W	2x1349	93	2700K	WW27K	CRI80	20°(SS)	Non Dimmable On/Off
		2x1392	96	3000K	WW30K	CRI90	Black SBL	Phase Dimmable PDIM
		2x1494	103	4000K	NW40K		Custom CSM	Dali Dimmable DDIM
		2x1537	106	5700K	CW57K			Bluetooth Dimmable BTM
				2700K-5700K	TW			
				Warm to Dim	W2D			
Spotboy SR 50 2Way	2X15W			WW27K	CRI80	20°(SS)	SWH	On/off

