

Peeping Tom SR | 8W

Product Reference

Environment Indoor

Installation Semi Recess

Construction & Materials

Housing Die Cast Aluminium, Milled Aluminium

Primary Lens PMMA

Primary Reflector PC metallised

Secondary Reflector -

Body Finish White, Black, Custom

Diffuser -

Antiglare Baffle -

Thermal Management

Heat Sink Material Die cast Aluminium

Cooling Technique Passive Cooling

Optical System

Beam Direction Adjustable

Tilt Yes

Swivel Yes

Electrical System

Driven with Constant Current Driver

Input Voltage/Hz 220V- 240V/50-60Hz

Control Gear Included

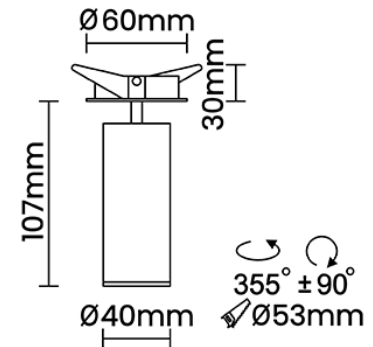
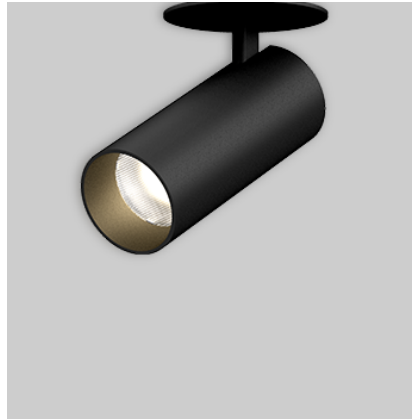
Mounting Remote

LED Power Watts 7.4W

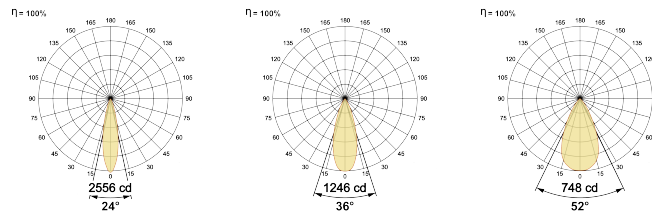
System Power Watts 8.5W

Operating Voltage V_{in} 220-240 Vac

Power Factor p.f. > 0.95



Light Distribution



LED Technology

Binning 3 Step MacAdam

LED Life Time @ L80/B10 >50000 hours

Colour Rendering (CRI) CRI80, CRI90

Led Type COB

LED Fitted CREE COB LED 36Vdc/180mA

Controls

Standard Switchable On/Off

Optional PDIM, DDIM, BTM, CASAMBI, Non Dimmable

Ordering Details

Code Example:	Name	Watt	CCT	CRI	Angle	Finish	Control
	Peeping Tom SR	8W	WW27K	CRI80	24°(MD)	SWH	On/Off

Select one from each column with highlighted values to create the ordering code

NAME	WATT	LUMEN	EFFICACY	CCT		CRI	ANGLE	FINISH		CONTROL	
Peeping Tom SR	8W	621	73	2700K	WW27K	CRI80	24°(MD)	White	SWH	Non Dimmable	On/Off
		638	75	3000K	WW30K	CRI90	36°(WD)	Black	SBL	Phase Dimmable	PDIM
		672	79	4000K	NW40K		52°(VWD)	Custom	CSM	Dali Dimmable	DDIM
		689	81	5700K	CW57K		Bluetooth Dimmable			BTTM	
				2700K-5700K	TW		Casambi			CBTM	
				Warm to Dim	W2D						
Peeping Tom SR	8W			WW27K		CRI80	24°(MD)	SWH		On/Off	