

Peeping Tom SF | 5W

Product Reference

Environment Indoor

Installation Ceiling Surface

Construction & Materials

Housing Die Cast Aluminium, Milled Aluminium

Primary Lens PMMA

Primary Reflector PC metallised

Secondary Reflector -

Body Finish White, Black, Custom

Diffuser -

Antiglare Baffle -

Thermal Management

Heat Sink Material Die cast Aluminium

Cooling Technique Passive Cooling

Optical System

Beam Direction Adjustable

Tilt Yes

Swivel Yes

Electrical System

Driven with Constant Current Driver

Input Voltage/Hz 220V- 240V/50-60Hz

Control Gear Included

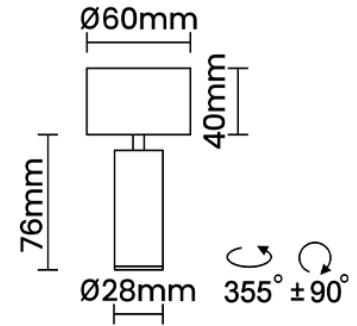
Mounting Remote

LED Power Watts 3.7W

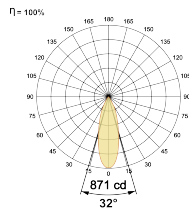
System Power Watts 4.2W

Operating Voltage V_{in} 220-240 Vac

Power Factor p.f. > 0.5



Light Distribution



LED Technology

Binning 3 Step MacAdam

LED Life Time @ L80/B10 >50000 hours

Colour Rendering (CRI) CRI80, CRI90

Led Type COB

LED Fitted CREE COB LED 36Vdc/130mA

Controls

Standard Switchable On/Off

Optional Non Dimmable

Ordering Details

Code Example:	Name	Watt	CCT	CRI	Angle	Finish	Control
	Peeping Tom SF	5W	WW27K	CRI80	32°(MD)	SWH	On/Off

Select one from each column with highlighted values to create the ordering code

NAME	WATT	LUMEN	EFFICACY	CCT	CRI	ANGLE	FINISH	CONTROL	
Peeping Tom SF	5W	361	86	2700K	WW27K	32°(MD)	White	Non Dimmable	On/Off
		382	91	3000K	WW30K		Black		
		403	96	4000K	NW40K		Custom		
		416	99	5700K	CW57K				
Peeping Tom SF	5W			WW27K	CRI80	32°(MD)	SWH	On/Off	