

Dark Knight A 10 | 24W

Product Reference

Environment Indoor

Installation Ceiling Recess

Construction & Materials

Housing Die Cast Aluminium

Primary Lens -

Primary Reflector PC metallised

Secondary Reflector Black Raster - ABS

Body Finish White,Black,Custom

Diffuser -

Antiglare Baffle -

Thermal Management

Heat Sink Material Die cast Aluminium

Cooling Technique Passive Cooling

Optical System

Beam Direction Fixed,Adjustable

Tilt No

Swivel No

Electrical System

Driven with Constant Current Driver

Input Voltage/Hz 220V- 240V/50-60Hz

Control Gear Included

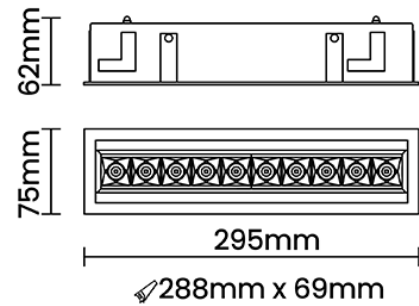
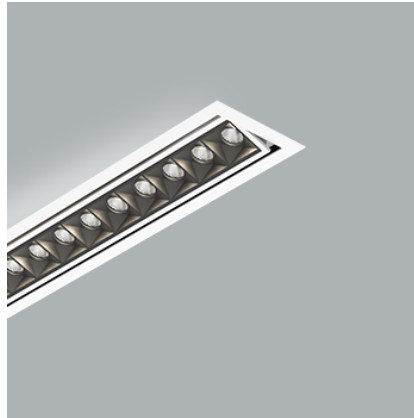
Mounting Remote

LED Power Watts 19.7W

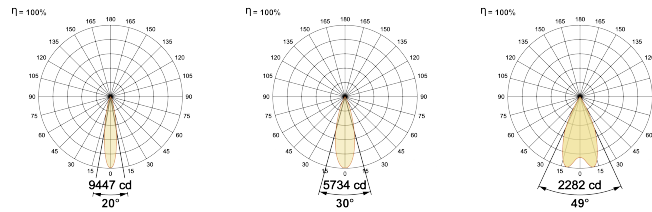
System Power Watts 22.6W

Operating Voltage Vin 220-240 Vac

Power Factor p.f. > 0.95



Light Distribution



LED Technology

Binning 3 Step MacAdam

LED Life Time @ L80/B10 >50000 hours

Colour Rendering (CRI) CRI90

Led Type SMD high power

LED Fitted -

Controls

Standard Switchable On/Off

Optional PDIM,DDIM,BTTM,CASAMBI,Non Dimmable

Ordering Details

| Code Example: | Name | Watt | CCT | CRI | Angle | Finish | Control |
|---------------|------------------|------|-------|-------|---------|--------|---------|
| | Dark Knight A 10 | 24W | WW27K | CRI90 | 20°(SS) | SWH | On/off |

Select one from each column with highlighted values to create the ordering code

| NAME | WATT | LUMEN | EFFICACY | CCT | CRI | ANGLE | FINISH | CONTROL |
|------------------|------|-------|----------|-------------|-------|-----------------|--------------------|--------------|
| Dark Knight A 10 | 24W | 1514 | 67 | 2700K | CRI90 | 20°(SS) 30°(MD) | White | Non Dimmable |
| | | 1582 | 70 | 3000K | | Black | Phase Dimmable | |
| | | 1718 | 76 | 4000K | | Custom | Dali Dimmable | |
| | | 1763 | 78 | 5700K | | | Bluetooth Dimmable | |
| | | | | 2700K-5700K | | | Casambi | |
| Dark Knight A 10 | 24W | | | WW27K | CRI90 | 20°(SS) | SWH | On/off |