

Dark Knight A 5 | 12W

Product Reference

Environment Indoor

Installation Ceiling Recess

Construction & Materials

Housing Die Cast Aluminium

Primary Lens -

Primary Reflector PC metallised

Secondary Reflector Black Raster - ABS

Body Finish White,Black,Custom

Diffuser -

Antiglare Baffle -

Thermal Management

Heat Sink Material Die cast Aluminium

Cooling Technique Passive Cooling

Optical System

Beam Direction Fixed,Adjustable

Tilt No

Swivel No

Electrical System

Driven with Constant Current Driver

Input Voltage/Hz 220V- 240V/50-60Hz

Control Gear Included

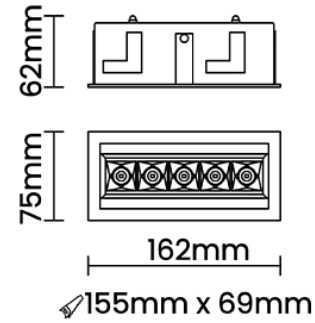
Mounting Remote

LED Power Watts 10.0W

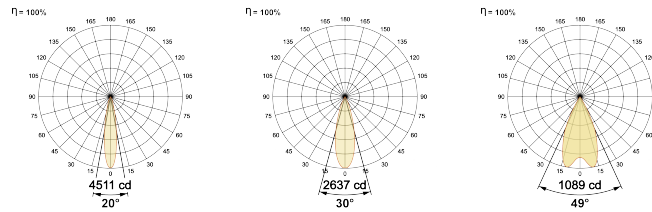
System Power Watts 11.5W

Operating Voltage Vin 220-240 Vac

Power Factor p.f. > 0.95



Light Distribution



LED Technology

Binning 3 Step MacAdam

LED Life Time @ L80/B10 >50000 hours

Colour Rendering (CRI) CRI90

Led Type SMD high power

LED Fitted -

Controls

Standard Switchable On/Off

Optional PDIM,DDIM,BTTM,CASAMBI,Non Dimmable

Ordering Details

Code Example:	Name	Watt	CCT	CRI	Angle	Finish	Control
	Dark Knight A 5	12W	WW27K	CRI90	20°(SS)	SWH	On/Off

Select one from each column with highlighted values to create the ordering code

NAME	WATT	LUMEN	EFFICACY	CCT	CRI	ANGLE	FINISH	CONTROL
Dark Knight A 5	12W	759	66	2700K	WW27K	CRI90	20°(SS) 30°(MD)	Non Dimmable On/Off
		794	69	3000K	WW30K		30°(MD)	Phase Dimmable PDIM
		863	75	4000K	NW40K		49°(WD)	Dali Dimmable DDIM
		886	77	5700K	CW57K			Bluetooth Dimmable BTTM
				2700K-5700K	TW			Casambi CBTM
Dark Knight A 5	12W			WW27K	CRI90	20°(SS)	SWH	On/Off