

Dot D | 1W

Product Reference

 Environment Indoor
 Installation Ceiling Recess

Construction & Materials

 Housing Milled Aluminium
 Primary Lens PMMA
 Primary Reflector PC metallised
 Secondary Reflector -
 Body Finish White,Black,Custom
 Diffuser -
 Antiglare Baffle -

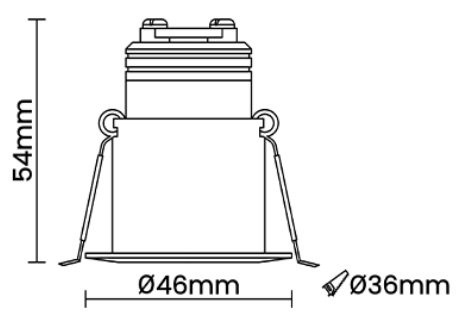
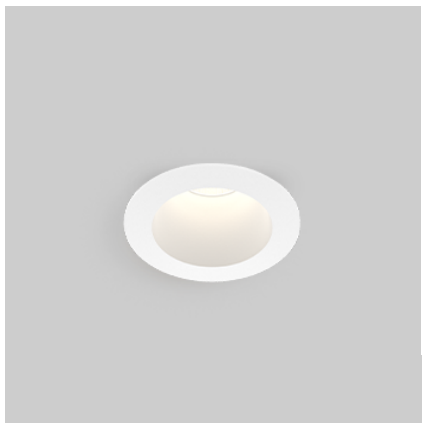
Thermal Management

 Heat Sink Material Aluminium
 Cooling Technique Passive Cooling

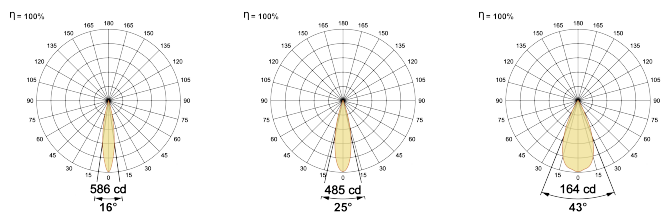
Optical System

 Beam Direction Fixed
 Tilt No
 Swivel No

Electrical System

 Driven with Constant Current Driver
 Input Voltage/Hz 220V- 240V/50-60Hz
 Control Gear Included
 Mounting Remote
 LED Power Watts 1.2W
 System Power Watts 1.6W
 Operating Voltage Vin 220-240 Vac
 Power Factor p.f. > 0.5


Light Distribution



LED Technology

 Binning 3 Step MacAdam
 LED Life Time @ L80/B10 >50000 hours
 Colour Rendering (CRI) CRI90
 Led Type SMD high power
 LED Fitted -

Controls

 Standard Switchable On/Off
 Optional PDIM,DDIM,Non Dimmable

Ordering Details

Code Example:	Name	Watt	CCT	CRI	Angle	Finish	Control
	Dot D	1W	WW27K	CRI90	16°(SS)	SWH	On/Off

Select one from each column with highlighted values to create the ordering code

NAME	WATT	LUMEN	EFFICACY	CCT	CRI	ANGLE	FINISH	CONTROL
Dot D	1W	122	76	2700K	CRI90	16°(SS)	White Black Custom	Non Dimmable
		126	79	3000K		25°(MD)		Phase Dimmable
		136	85	4000K		43°(WD)		Dali Dimmable
		141	88	5700K				DDIM
Dot D	1W			WW27K	CRI90	16°(SS)	SWH	On/Off