

Bling M | 8W

Product Reference

Environment Indoor

Installation Ceiling Recess

Construction & Materials

Housing Milled Aluminium

Primary Lens -

Primary Reflector PC metallised

Secondary Reflector -

Body Finish White,Black,Custom

Diffuser -

Antiglare Baffle -

Thermal Management

Heat Sink Material Aluminium

Cooling Technique Passive Cooling

Optical System

Beam Direction Adjustable

Tilt Yes

Swivel No

Electrical System

Driven with Constant Current Driver

Input Voltage/Hz 220V- 240V/50-60Hz

Control Gear Included

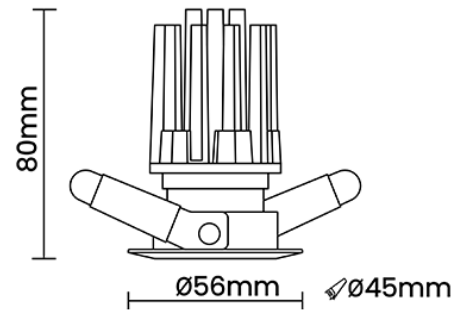
Mounting Remote

LED Power Watts 6.9W

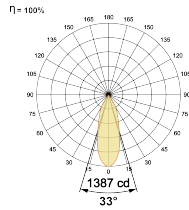
System Power Watts 8.6W

Operating Voltage Vin 220-240 Vac

Power Factor p.f. > 0.95



Light Distribution



LED Technology

Binning 3 Step MacAdam

LED Life Time @ L80/B10 >50000 hours

Colour Rendering (CRI) CRI80,CRI90

Led Type COB

LED Fitted CREE COB LED 36Vdc/180mA

Controls

Standard Switchable On/Off

Optional PDIM,DDIM,BTTM,CASAMBI,Non Dimmable

Ordering Details

Code Example:	Name	Watt	CCT	CRI	Angle	Finish	Control
	Bling M	8W	WW27K	CRI80	33°(MD)	SWH	On/Off

Select one from each column with highlighted values to create the ordering code

NAME	WATT	LUMEN	EFFICACY	CCT	CRI	ANGLE	FINISH	CONTROL		
Bling M	8W	568	66	2700K	WW27K	CRI80	33°(MD)	White	Non Dimmable	On/Off
		602	70	3000K	WW30K	CRI90		Black	Phase Dimmable	PDIM
		636	74	4000K	NW40K			Custom	Dali Dimmable	DDIM
		654	76	5700K	CW57K				Bluetooth Dimmable	BTTM
				2700K-5700K	TW				Casambi	CBTM
				Warm to Dim	W2D					
Bling M	8W			WW27K	CRI80	33°(MD)	SWH	On/Off		