

Sigma 105 | 28W

Product Reference

Environment Indoor

Installation Ceiling Recess

Construction & Materials

Housing Aluminium

Primary Lens PMMA

Primary Reflector PC metallised

Secondary Reflector Anodised

Body Finish White,Black

Diffuser -

Antiglare Baffle -

Thermal Management

Heat Sink Material Die cast Aluminium

Cooling Technique Passive Cooling

Optical System

Beam Direction Fixed

Tilt No

Swivel No

Electrical System

Driven with Constant Current Driver

Input Voltage/Hz 220V- 240V/50-60Hz

Control Gear Included

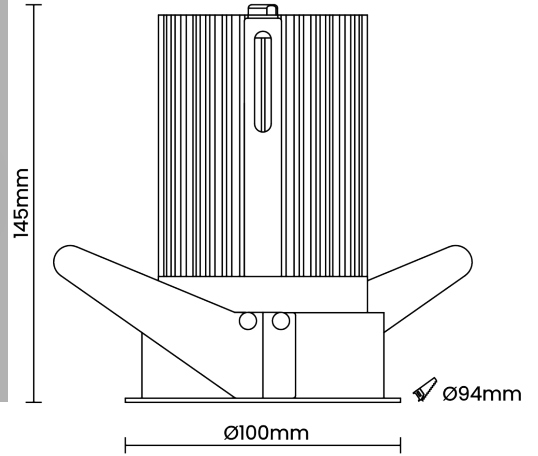
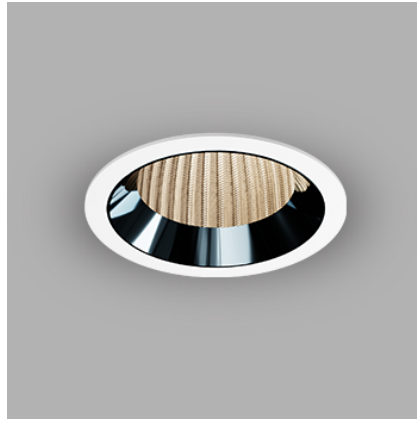
Mounting Integral

LED Power Watts 24.4W

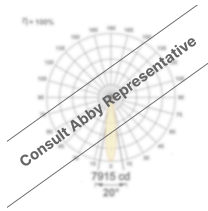
System Power Watts 28W

Operating Voltage Vin 220-240Vac

Power Factor p.f. >0.95



Light Distribution



LED Technology

Binning 3 Step MacAdam

LED Life Time @ L80/B10 >50000 hours

Colour Rendering (CRI) CRI80,CRI90

Led Type COB

LED Fitted Cree COB LED 33V-36Vdc/700mA

Controls

Standard Switchable On/Off

Optional PDIM,DDIM,BTDM

Ordering Details

Code Example:	Name	Watt	CCT	CRI	Angle	Finish	Control
	Sigma 105	28W	WW27K	CRI80	27°(MD)	SWH	On/Off

Select one from each column with highlighted values to create the ordering code

NAME	WATT	LUMEN	EFFICACY	CCT	CRI	ANGLE	FINISH	CONTROL	
Sigma 105	28W	2436	87	2700K	WW27K	CRI80	27°(MD)	White SWH	Non Dimmable On/Off
		2520	90	3000K	WW30K	CRI90	36°(WD)	Black SBL	Phase Dimmable PDIM
		2660	95	4000K	NW40K		53°(VWD)		Dali Dimmable DDIM
		2716	97	5700K	CW57K				Bluetooth Dimmable BTDM
					2700K-5700K	TW			
Sigma 105	28W			WW27K	CRI80	27°(MD)	SWH	On/Off	

