

# Sigma 105 | 24W

## Product Reference

Environment Indoor

Installation Ceiling Recess

## Construction & Materials

Housing Aluminium

Primary Lens PMMA

Primary Reflector PC metallised

Secondary Reflector Anodised

Body Finish White,Black

Diffuser -

Antiglare Baffle -

## Thermal Management

Heat Sink Material Die cast Aluminium

Cooling Technique Passive Cooling

## Optical System

Beam Direction Fixed

Tilt No

Swivel No

## Electrical System

Driven with Constant Current Driver

Input Voltage/Hz 220V- 240V/50-60Hz

Control Gear Included

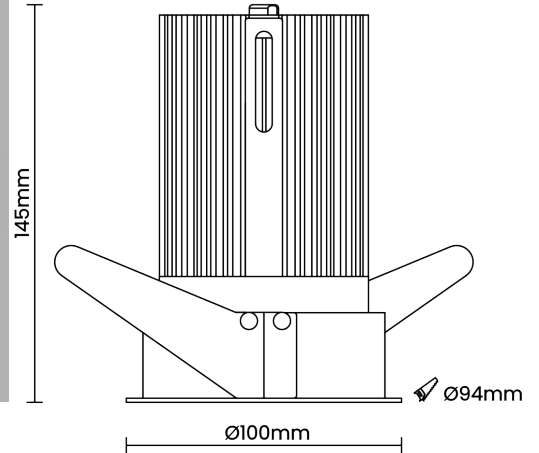
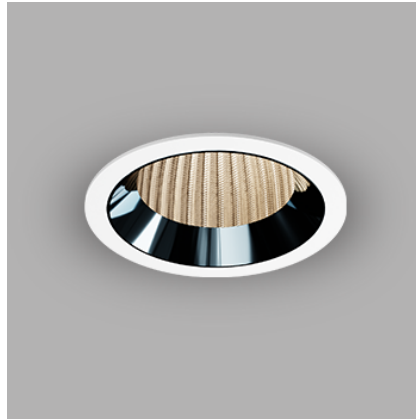
Mounting Integral

LED Power Watts 20.6W

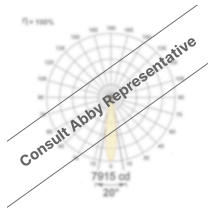
System Power Watts 23.7W

Operating Voltage Vin 220-240Vac

Power Factor p.f. >0.95



## Light Distribution



## LED Technology

Binning 3 Step MacAdam

LED Life Time @ L80/B10 >50000 hours

Colour Rendering (CRI) CRI80,CRI90

Led Type COB

LED Fitted Cree COB LED 33V-36Vdc/600mA

## Controls

Standard Switchable On/Off

Optional PDIM,DDIM,BTMM

## Ordering Details

Code Example:	Name	Watt	CCT	CRI	Angle	Finish	Control
	<b>Sigma 105</b>	<b>24W</b>	<b>WW27K</b>	<b>CRI80</b>	<b>27°(MD)</b>	<b>SWH</b>	<b>On/Off</b>

Select one from each column with highlighted values to create the ordering code

NAME	WATT	LUMEN	EFFICACY	CCT	CRI	ANGLE	FINISH	CONTROL
<b>Sigma 105</b>	<b>24W</b>	2204	93	2700K	<b>WW27K</b>	<b>CRI80</b>	27°(MD)	White <b>SWH</b> Non Dimmable <b>On/Off</b>
		2275	96	3000K	<b>WW30K</b>	CRI90	36°(WD)	Black <b>SBL</b> Phase Dimmable <b>PDIM</b>
		2394	101	4000K	<b>NW40K</b>		53°(VWD)	Dali Dimmable <b>DDIM</b>
		2441	103	5700K	<b>CW57K</b>			Bluetooth Dimmable <b>BTTM</b>
<b>Sigma 105</b>	<b>24W</b>			<b>WW27K</b>	<b>CRI80</b>	<b>27°(MD)</b>	<b>SWH</b>	<b>On/Off</b>

