

Sigma 80 TL WW | 18W

Product Reference

Environment Indoor

Installation Ceiling Recess

Construction & Materials

Housing Aluminium

Primary Lens -

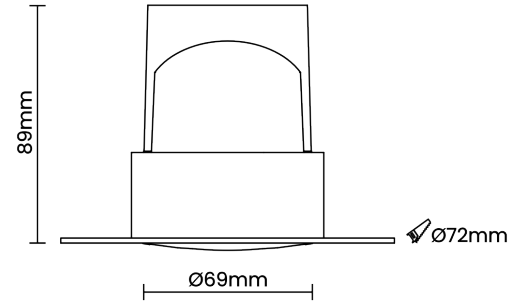
Primary Reflector PC metallised

Secondary Reflector Anodised

Body Finish White,Black

Diffuser -

Antiglare Baffle -



Thermal Management

Heat Sink Material Extruded Aluminium

Cooling Technique Passive Cooling

Optical System

Beam Direction Fixed Asymmetric

Tilt No

Swivel No

Electrical System

Driven with Constant Current Driver

Input Voltage/Hz 220V- 240V/50-60Hz

Control Gear Included

Mounting Integral

LED Power Watts 15.7W

System Power Watts 18.1W

Operating Voltage Vin 220-240Vac

Power Factor p.f. >0.95

Light Distribution

LED Technology

Binning 3 Step MacAdam

LED Life Time @ L80/B10 >50000 hours

Colour Rendering (CRI) CRI80,CRI90

Led Type COB

LED Fitted Cree COB LED 33V-36Vdc/450mA

Controls

Standard Switchable On/Off

Optional PDIM,DDIM,BTDM

Ordering Details

Code Example:	Name	Watt	CCT	CRI	Angle	Finish	Control
	Sigma 80 TL WW	18W	WW27K	CRI80	Asymmetric	SWH	On/Off

Select one from each column with highlighted values to create the ordering code

NAME	WATT	LUMEN	EFFICACY	CCT	CRI	ANGLE	FINISH	CONTROL
Sigma 80 TL WW	18W	1321	73	2700K WW27K	CRI80	Asymmetric	White SWH	Non Dimmable On/Off
		1358	75	3000K WW30K	CRI90		Black SBL	Phase Dimmable PDIM
		1430	79	4000K NW40K				Dali Dimmable DDIM
		1466	81	5700K CW57K				Bluetooth Dimmable BTDM
Sigma 80 TL WW	18W			WW27K	CRI80	Asymmetric	SWH	On/Off