

Sigma 80 TL WW | 15W

Product Reference

Environment Indoor

Installation Ceiling Recess

Construction & Materials

Housing Aluminium

Primary Lens -

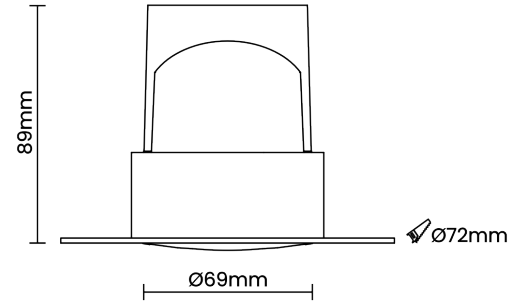
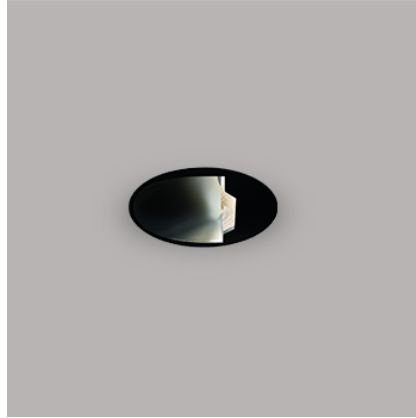
Primary Reflector PC metallised

Secondary Reflector Anodised

Body Finish White,Black

Diffuser -

Antiglare Baffle -



Thermal Management

Heat Sink Material Extruded Aluminium

Cooling Technique Passive Cooling

Optical System

Beam Direction Fixed Asymmetric

Tilt No

Swivel No

Electrical System

Driven with Constant Current Driver

Input Voltage/Hz 220V- 240V/50-60Hz

Control Gear Included

Mounting Integral

LED Power Watts 12.4W

System Power Watts 14.2W

Operating Voltage Vin 220-240Vac

Power Factor p.f. >0.95

Light Distribution

LED Technology

Binning 3 Step MacAdam

LED Life Time @ L80/B10 >50000 hours

Colour Rendering (CRI) CRI80,CRI90

Led Type COB

LED Fitted Cree COB LED 33V-36Vdc/350mA

Controls

Standard Switchable On/Off

Optional PDIM,DDIM,BTDM

Ordering Details

Code Example:	Name	Watt	CCT	CRI	Angle	Finish	Control
	Sigma 80 TL WW	15W	WW27K	CRI80	Asymmetric	SWH	On/Off

Select one from each column with highlighted values to create the ordering code

NAME	WATT	LUMEN	EFFICACY	CCT	CRI	ANGLE	FINISH	CONTROL	
Sigma 80 TL WW	15W	1108	78	2700K	WW27K	CRI80	White SWH Black SBL	Non Dimmable	On/Off
		1136	80	3000K	WW30K	CRI90		Phase Dimmable	PDIM
		1192	84	4000K	NW40K			Dali Dimmable	DDIM
		1221	86	5700K	CW57K			Bluetooth Dimmable	BTDM
Sigma 80 TL WW	15W			WW27K	CRI80	Asymmetric	SWH	On/Off	