

Sigma 80 TL | 18W

Product Reference

Environment Indoor

Installation Ceiling Recess

Construction & Materials

Housing Aluminium

Primary Lens PMMA

Primary Reflector PC metallised

Secondary Reflector Anodised

Body Finish White,Black

Diffuser -

Antiglare Baffle -

Thermal Management

Heat Sink Material Die cast Aluminium

Cooling Technique Passive Cooling

Optical System

Beam Direction Fixed

Tilt No

Swivel No

Electrical System

Driven with Constant Current Driver

Input Voltage/Hz 220V- 240V/50-60Hz

Control Gear Included

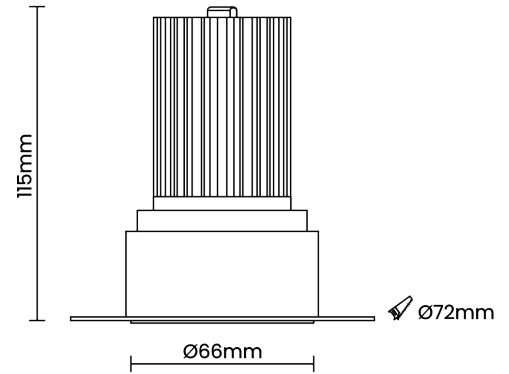
Mounting Integral

LED Power Watts 15.7W

System Power Watts 18W

Operating Voltage Vin 220-240Vac

Power Factor p.f. >0.95



Light Distribution

LED Technology

Binning 3 Step MacAdam

LED Life Time @ L80/B10 >50000 hours

Colour Rendering (CRI) CRI80,CRI90

Led Type COB

LED Fitted Cree COB LED 33V-36Vdc/450mA

Controls

Standard Switchable On/Off

Optional PDIM,DDIM,BTDM

Ordering Details

Code Example:	Name	Watt	CCT	CRI	Angle	Finish	Control
	Sigma 80 TL	18W	WW27K	CRI80	26°(MD)	SWH	On/Off

Select one from each column with highlighted values to create the ordering code

NAME	WATT	LUMEN	EFFICACY	CCT	CRI	ANGLE	FINISH	CONTROL
Sigma 80 TL	18W	1494	83	2700K	WW27K	CRI80	26°(MD) 26°(MD)	White SWH Non Dimmable On/Off
		1530	85	3000K	WW30K	CRI90	43°(WD) 43°(WD)	Black SBL Phase Dimmable PDIM
		1602	89	4000K	NW40K		61°(VWD) 61°(VWD)	Dali Dimmable DDIM
		1638	91	5700K	CW57K			Bluetooth Dimmable BTDM
Sigma 80 TL	18W			WW27K	CRI80	26°(MD)	SWH	On/Off