

# Sigma 80 TL | 15W

## Product Reference

Environment Indoor

Installation Ceiling Recess

## Construction & Materials

Housing Aluminium

Primary Lens PMMA

Primary Reflector PC metallised

Secondary Reflector Anodised

Body Finish White,Black

Diffuser -

Antiglare Baffle -

## Thermal Management

Heat Sink Material Die cast Aluminium

Cooling Technique Passive Cooling

## Optical System

Beam Direction Fixed

Tilt No

Swivel No

## Electrical System

Driven with Constant Current Driver

Input Voltage/Hz 220V- 240V/50-60Hz

Control Gear Included

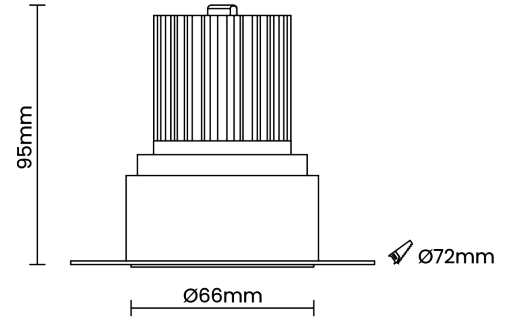
Mounting Integral

LED Power Watts 12.3W

System Power Watts 14.1W

Operating Voltage Vin 220-240Vac

Power Factor p.f. >0.95



## Light Distribution

### LED Technology

Binning 3 Step MacAdam

LED Life Time @ L80/B10 >50000 hours

Colour Rendering (CRI) CRI80,CRI90

Led Type COB

LED Fitted Cree COB LED 33V-36Vdc/350mA

### Controls

Standard Switchable On/Off

Optional PDIM,DDIM,BTDM

## Ordering Details

| Code Example: | Name               | Watt       | CCT          | CRI          | Angle          | Finish     | Control       |
|---------------|--------------------|------------|--------------|--------------|----------------|------------|---------------|
|               | <b>Sigma 80 TL</b> | <b>15W</b> | <b>WW27K</b> | <b>CRI80</b> | <b>26°(MD)</b> | <b>SWH</b> | <b>On/Off</b> |

Select one from each column with highlighted values to create the ordering code

| NAME               | WATT       | LUMEN | EFFICACY | CCT          | CRI          | ANGLE          | FINISH            | CONTROL                                     |
|--------------------|------------|-------|----------|--------------|--------------|----------------|-------------------|---|
| <b>Sigma 80 TL</b> | <b>15W</b> | 1283  | 91       | 2700K        | <b>WW27K</b> | <b>CRI80</b>   | 26°(MD) 26°(MD)   | White <b>SWH</b> Non Dimmable <b>On/Off</b> |
|                    |            | 1325  | 94       | 3000K        | <b>WW30K</b> | CRI90          | 43°(WD) 43°(WD)   | Black <b>SBL</b> Phase Dimmable <b>PDIM</b> |
|                    |            | 1396  | 99       | 4000K        | <b>NW40K</b> |                | 61°(VWD) 61°(VWD) | Dali Dimmable <b>DDIM</b>                   |
|                    |            | 1424  | 101      | 5700K        | <b>CW57K</b> |                |                   | Bluetooth Dimmable <b>BTDM</b>              |
| <b>Sigma 80 TL</b> | <b>15W</b> |       |          | <b>WW27K</b> | <b>CRI80</b> | <b>26°(MD)</b> | <b>SWH</b>        | <b>On/Off</b>                               |