

# Sigma 60 TL | 10W

## Product Reference

Environment Indoor

Installation Ceiling Recess

## Construction & Materials

Housing Aluminium

Primary Lens -

Primary Reflector PC metallised

Secondary Reflector Anodised

Body Finish White,Black

Diffuser -

Antiglare Baffle -

## Thermal Management

Heat Sink Material Die cast Aluminium

Cooling Technique Passive Cooling

## Optical System

Beam Direction Fixed

Tilt No

Swivel No

## Electrical System

Driven with Constant Current Driver

Input Voltage/Hz 220V- 240V/50-60Hz

Control Gear Included

Mounting Integral

LED Power Watts 8.8W

System Power Watts 10.1W

Operating Voltage Vin 220-240Vac

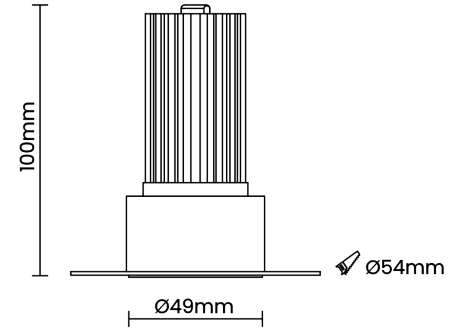
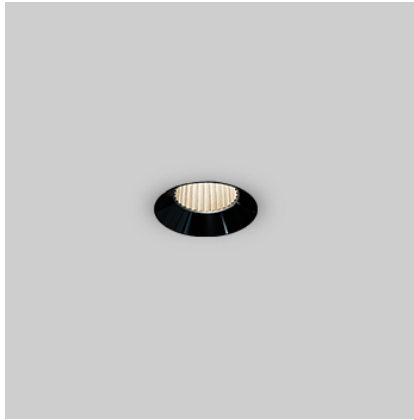
Power Factor p.f. >0.95

## Ordering Details

Code Example:	Name	Watt	CCT	CRI	Angle	Finish	Control
	Sigma 60 TL	10W	WW27K	CRI80	29°(MD)	SWH	On/Off

Select one from each column with highlighted values to create the ordering code

NAME	WATT	LUMEN	EFFICACY	CCT	CRI	ANGLE	FINISH	CONTROL			
Sigma 60 TL	10W	788	78	2700K	WW27K	CRI80	29°(MD)	29°(MD)	White SWH	Non Dimmable	On/Off
		808	80	3000K	WW30K	CRI90	42°(WD)	42°(WD)	Black SBL	Dali Dimmable	DDIM
		848	84	4000K	NW40K		62°(VWD)	62°(VWD)			
		869	86	5700K	CW57K						
Sigma 60 TL	10W			WW27K	CRI80	29°(MD)	SWH	On/Off			



## Light Distribution

### LED Technology

Binning 3 Step MacAdam

LED Life Time @ L80/B10 >50000 hours

Colour Rendering (CRI) CRI80,CRI90

Led Type COB

LED Fitted Cree COB LED 33V-36Vdc/250mA

### Controls

Standard Switchable On/Off

Optional DDIM