

# Mojo 65 ITA WD | 28W

## Product Reference

Environment Indoor  
Installation Track Mounted

## Construction & Materials

Housing Aluminium  
Primary Lens -  
Primary Reflector PC metallised  
Secondary Reflector Anodised  
Body Finish White,Black  
Diffuser -  
Antiglare Baffle -

## Thermal Management

Heat Sink Material Die cast Aluminium  
Cooling Technique Passive Cooling

## Optical System

Beam Direction Adjustable  
Tilt Yes  
Swivel Yes

## Electrical System

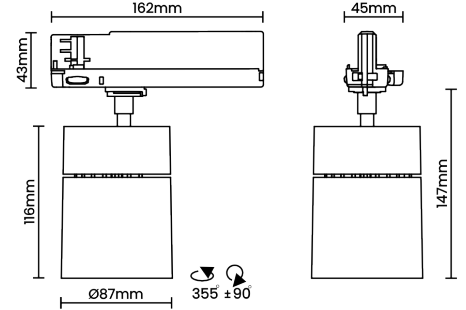
Driven with Constant Current Driver  
Input Voltage/Hz 220V- 240V/50-60Hz  
Control Gear Included  
Mounting Integral  
LED Power Watts 24.6W  
System Power Watts 28.3W  
Operating Voltage Vin 220-240Vac  
Power Factor p.f. >0.95

## Ordering Details

Code Example:	Name	Watt	CCT	CRI	Angle	Finish	Control
	Mojo 65 ITA WD	28W	WW27K	CRI80	36°	SWH	On/Off

Select one from each column with highlighted values to create the ordering code

NAME	WATT	LUMEN	EFFICACY	CCT	CRI	ANGLE	FINISH	CONTROL
Mojo 65 ITA WD	28W	2689	95	2700K	WW27K	36°	White	Non Dimmable
		2773	98	3000K	WW30K		Black	
		2915	103	4000K	NW40K		SBL	
		2972	105	5700K	CW57K			
Mojo 65 ITA WD	28W			WW27K	CRI80	36°	SWH	On/off



## Light Distribution

## LED Technology

Binning 3 Step MacAdam  
LED Life Time @ L80/B10 >50000 hours  
Colour Rendering (CRI) CRI80,CRI90  
Led Type COB  
LED Fitted Cree COB LED 33V-36Vdc/700mA

## Controls

Standard Switchable On/Off  
Optional -