

Mojo 65 ITA WD | 24W

Product Reference

Environment Indoor

Installation Track Mounted

Construction & Materials

Housing Aluminium

Primary Lens -

Primary Reflector PC metallised

Secondary Reflector Anodised

Body Finish White,Black

Diffuser -

Antiglare Baffle -

Thermal Management

Heat Sink Material Die cast Aluminium

Cooling Technique Passive Cooling

Optical System

Beam Direction Adjustable

Tilt Yes

Swivel Yes

Electrical System

Driven with Constant Current Driver

Input Voltage/Hz 220V- 240V/50-60Hz

Control Gear Included

Mounting Integral

LED Power Watts 20.7W

System Power Watts 23.8W

Operating Voltage Vin 220-240Vac

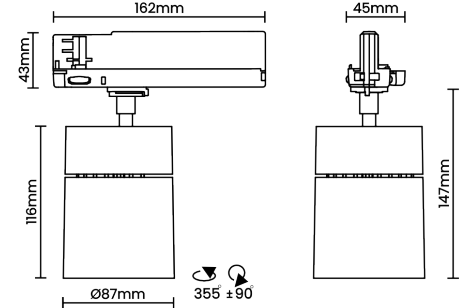
Power Factor p.f. >0.95

Ordering Details

Code Example:	Name	Watt	CCT	CRI	Angle	Finish	Control
	Mojo 65 ITA WD	24W	WW27K	CRI80	36°	SWH	On/Off

Select one from each column with highlighted values to create the ordering code

NAME	WATT	LUMEN	EFFICACY	CCT	CRI	ANGLE	FINISH	CONTROL
Mojo 65 ITA WD	24W	2451	103	2700K	WW27K	36°	White	Non Dimmable
		2523	106	3000K	WW30K		Black	
		2642	111	4000K	NW40K		SBL	
		2689	113	5700K	CW57K			
Mojo 65 ITA WD	24W			WW27K	CRI80	36°	SWH	On/off



Light Distribution

LED Technology

Binning 3 Step MacAdam

LED Life Time @ L80/B10 >50000 hours

Colour Rendering (CRI) CRI80,CRI90

Led Type COB

LED Fitted Cree COB LED 33V-36Vdc/600mA

Controls

Standard Switchable On/Off

Optional -