

Mojo 65 HGB VWD | 28W

Product Reference

Environment Indoor

Installation Track Mounted

Construction & Materials

Housing Aluminium

Primary Lens -

Primary Reflector PC metallised

Secondary Reflector Anodised

Body Finish White,Black

Diffuser -

Antiglare Baffle -

Thermal Management

Heat Sink Material Die cast Aluminium

Cooling Technique Passive Cooling

Optical System

Beam Direction Adjustable

Tilt Yes

Swivel Yes

Electrical System

Driven with Constant Current Driver

Input Voltage/Hz 220V- 240V/50-60Hz

Control Gear Included

Mounting Integral

LED Power Watts 24.6W

System Power Watts 28.3W

Operating Voltage Vin 220-240Vac

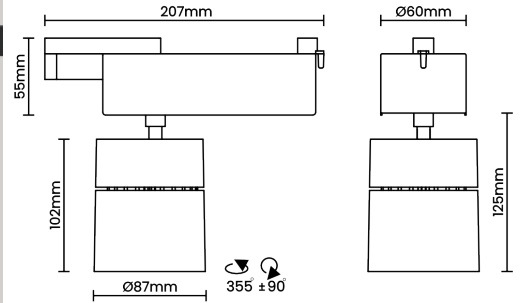
Power Factor p.f. >0.95

Ordering Details

Code Example:	Name	Watt	CCT	CRI	Angle	Finish	Control
	Mojo 65 HGB VWD	28W	WW27K	CRI80	51°	SWH	On/Off

Select one from each column with highlighted values to create the ordering code

NAME	WATT	LUMEN	EFFICACY	CCT	CRI	ANGLE	FINISH	CONTROL	
Mojo 65 HGB VWD	28W	2660	94	2700K	WW27K	CRI80	51°	White SWH	Non Dimmable On/Off
		2745	97	3000K	WW30K	CRI90	Black SBL	Dali Dimmable DDIM	
		2887	102	4000K	NW40K			Bluetooth Dimmable BTM	
		2943	104.2	5700K	CW57K			Casambi CBTM	
Mojo 65 HGB VWD	28W			WW27K	CRI80	51°	SWH	On/Off	



Light Distribution

LED Technology

Binning 3 Step MacAdam

LED Life Time @ L80/B10 >50000 hours

Colour Rendering (CRI) CRI80,CRI90

Led Type COB

LED Fitted Cree COB LED 33V-36Vdc/700mA

Controls

Standard Switchable On/Off

Optional DDIM,BTMM,CASAMBI