

# Mojo 65 HGB VWD | 24W

## Product Reference

Environment Indoor  
 Installation Track Mounted

## Construction & Materials

Housing Aluminium  
 Primary Lens -  
 Primary Reflector PC metallised  
 Secondary Reflector Anodised  
 Body Finish White,Black  
 Diffuser -  
 Antiglare Baffle -

## Thermal Management

Heat Sink Material Die cast Aluminium  
 Cooling Technique Passive Cooling

## Optical System

Beam Direction Adjustable  
 Tilt Yes  
 Swivel Yes

## Electrical System

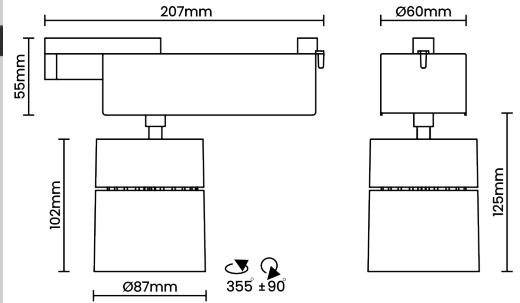
Driven with Constant Current Driver  
 Input Voltage/Hz 220V- 240V/50-60Hz  
 Control Gear Included  
 Mounting Integral  
 LED Power Watts 20.7W  
 System Power Watts 23.8W  
 Operating Voltage Vin 220-240Vac  
 Power Factor p.f. >0.95

## Ordering Details

Code Example:	Name	Watt	CCT	CRI	Angle	Finish	Control
	Mojo 65 HGB VWD	24W	WW27K	CRI80	51°	SWH	On/Off

Select one from each column with highlighted values to create the ordering code

NAME	WATT	LUMEN	EFFICACY	CCT	CRI	ANGLE	FINISH	CONTROL	
Mojo 65 HGB VWD	24W	2428	102	2700K	WW27K	CRI80	51°	White SWH	Non Dimmable On/Off
		2499	105	3000K	WW30K	CRI90	Black SBL	Dali Dimmable DDIM	
		2618	110	4000K	NW40K			Bluetooth Dimmable BTM	
		2666	112	5700K	CW57K			Casambi CBTM	
Mojo 65 HGB VWD	24W			WW27K	CRI80	51°	SWH	On/Off	



## Light Distribution

## LED Technology

Binning 3 Step MacAdam  
 LED Life Time @ L80/B10 >50000 hours  
 Colour Rendering (CRI) CRI80,CRI90  
 Led Type COB  
 LED Fitted Cree COB LED 33V-36Vdc/600mA

## Controls

Standard Switchable On/Off  
 Optional DDIM,BTM,CASAMBI