

# Mojo 65 HGB MD | 28W

## Product Reference

Environment Indoor

Installation Track Mounted

## Construction & Materials

Housing Aluminium

Primary Lens -

Primary Reflector PC metallised

Secondary Reflector Anodised

Body Finish White,Black

Diffuser -

Antiglare Baffle -

## Thermal Management

Heat Sink Material Die cast Aluminium

Cooling Technique Passive Cooling

## Optical System

Beam Direction Adjustable

Tilt Yes

Swivel Yes

## Electrical System

Driven with Constant Current Driver

Input Voltage/Hz 220V- 240V/50-60Hz

Control Gear Included

Mounting Integral

LED Power Watts 24.6W

System Power Watts 28.3W

Operating Voltage Vin 220-240Vac

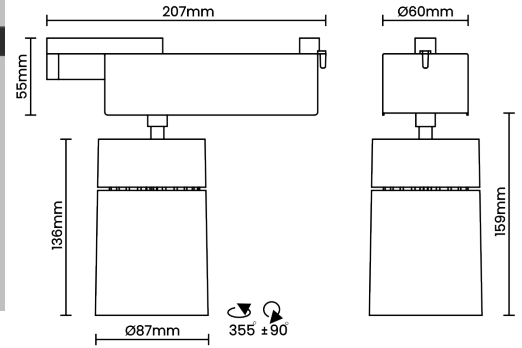
Power Factor p.f. >0.95

## Ordering Details

Code Example:	Name	Watt	CCT	CRI	Angle	Finish	Control
	Mojo 65 HGB MD	28W	WW27K	CRI80	27°	SWH	DDIM

Select one from each column with highlighted values to create the ordering code

NAME	WATT	LUMEN	EFFICACY	CCT		CRI	ANGLE	FINISH		CONTROL	
Mojo 65 HGB MD	28W	2434	86	2700K	WW27K	CRI80	27°	White	SWH	Dali Dimmable	DDIM
		2519	89	3000K	WW30K	CRI90		Black	SBL	Bluetooth Dimmable	BTTM
		2660	94	4000K	NW40K					Casambi	CBTM
		2717	96	5700K	CW57K						
Mojo 65 HGB MD	28W			WW27K		CRI80	27°	SWH		DDIM	



## Light Distribution

## LED Technology

Binning 3 Step MacAdam

LED Life Time @ L80/B10 >50000 hours

Colour Rendering (CRI) CRI80,CRI90

Led Type COB

LED Fitted Cree COB LED 33V-36Vdc/700mA

## Controls

Standard Switchable On/Off

Optional DDIM,BTTM,CASAMBI