

Mojo 65 48V WD | 18W

Product Reference

Environment Indoor

Installation Track Mounted

Construction & Materials

Housing Aluminium

Primary Lens -

Primary Reflector PC metallised

Secondary Reflector Anodised

Body Finish White,Black

Diffuser -

Antiglare Baffle -

Thermal Management

Heat Sink Material Die cast Aluminium

Cooling Technique Passive Cooling

Optical System

Beam Direction Adjustable

Tilt Yes

Swivel Yes

Electrical System

Driven with Constant Current Driver

Input Voltage/Hz 220V- 240V/50-60Hz

Control Gear Included

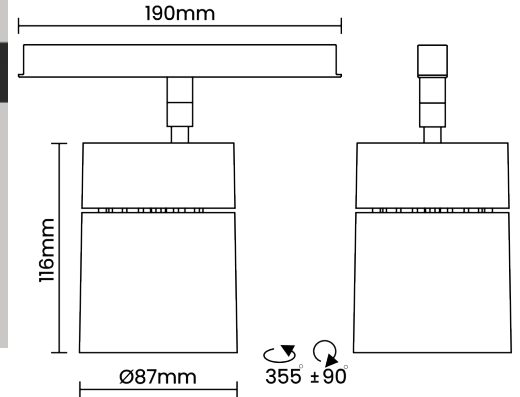
Mounting Integral

LED Power Watts 17.8W

System Power Watts -

Operating Voltage Vin 48V

Power Factor p.f. >0.95



Light Distribution

LED Technology

Binning 3 Step MacAdam

LED Life Time @ L80/B10 >50000 hours

Colour Rendering (CRI) CRI80,CRI90

Led Type COB

LED Fitted CREE COB LED 33-36Vdc/500mA

Controls

Standard Switchable On/Off

Optional -

Ordering Details

Code Example:	Name	Watt	CCT	CRI	Angle	Finish	Control
	Mojo 65 48V WD	18W	WW27K	CRI80	36°	SWH	On/Off

Select one from each column with highlighted values to create the ordering code

NAME	WATT	LUMEN	EFFICACY	CCT	CRI	ANGLE	FINISH	CONTROL	
Mojo 65 48V WD	18W	2121	119	2700K	WW27K	CRI80	36°	White SWH	Non Dimmable On/Off
		2182	123	3000K	WW30K	CRI90	Black SBL		
		2283	128	4000K	NW40K				
		2323	131	5700K	CW57K				
				2700K-5700K	TW				
Mojo 65 48V WD	18W			WW27K	CRI80	36°	SWH	On/Off	