

Mojo 35 48V WD | 9W

Product Reference

Environment Indoor

Installation Track Mounted

Construction & Materials

Housing Aluminium

Primary Lens -

Primary Reflector PC metallised

Secondary Reflector Anodised

Body Finish White,Black

Diffuser -

Antiglare Baffle -

Thermal Management

Heat Sink Material Die cast Aluminium

Cooling Technique Passive Cooling

Optical System

Beam Direction Adjustable

Tilt Yes

Swivel Yes

Electrical System

Driven with Constant Current Driver

Input Voltage/Hz 48V

Control Gear Included

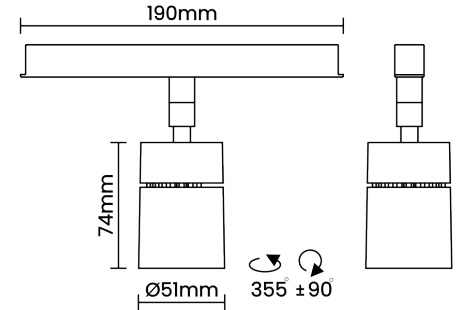
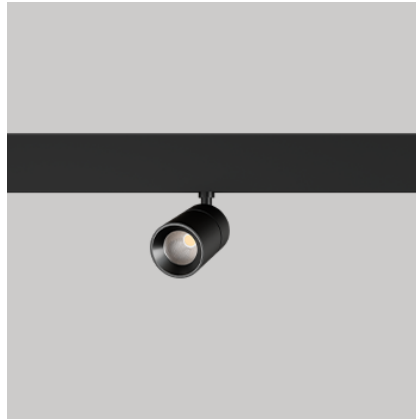
Mounting Integral

LED Power Watts 9.0W

System Power Watts -

Operating Voltage Vin 48V

Power Factor p.f. >0.95



Light Distribution

LED Technology

Binning 3 Step MacAdam

LED Life Time @ L80/B10 >50000 hours

Colour Rendering (CRI) CRI80,CRI90

Led Type COB

LED Fitted Cree COB LED 33V-36Vdc/250mA

Controls

Standard Switchable On/Off

Optional DDIM,BTTM,CASAMBI

Ordering Details

Code Example:	Name	Watt	CCT	CRI	Angle	Finish	Control
	Mojo 35 48V WD	9W	WW27K	CRI80	41°	SWH	DDIM

Select one from each column with highlighted values to create the ordering code

NAME	WATT	LUMEN	EFFICACY	CCT	CRI	ANGLE	FINISH	CONTROL	
Mojo 35 48V WD	9W	900	100	2700K	WW27K	CRI80	41°	White SWH	Dali Dimmable DDIM
		927	103	3000K	WW30K	CRI90	Black SBL	Bluetooth Dimmable BTTM	
		972	108	4000K	NW40K			Casambi CBTM	
		990	110	5700K	CW57K				
				2700K-5700K	TW				
Mojo 35 48V WD	9W			WW27K	CRI80	41°	SWH	DDIM	