

Mojo 50 HGB MD | 15W

Product Reference

Environment Indoor

Installation Track Mounted

Construction & Materials

Housing Aluminium

Primary Lens -

Primary Reflector PC metallised

Secondary Reflector Anodised

Body Finish White,Black

Diffuser -

Antiglare Baffle -

Thermal Management

Heat Sink Material Die cast Aluminium

Cooling Technique Passive Cooling

Optical System

Beam Direction Adjustable

Tilt Yes

Swivel Yes

Electrical System

Driven with Constant Current Driver

Input Voltage/Hz 220V- 240V/50-60Hz

Control Gear Included

Mounting Integral

LED Power Watts 12.4W

System Power Watts 14.2W

Operating Voltage Vin 220-240Vac

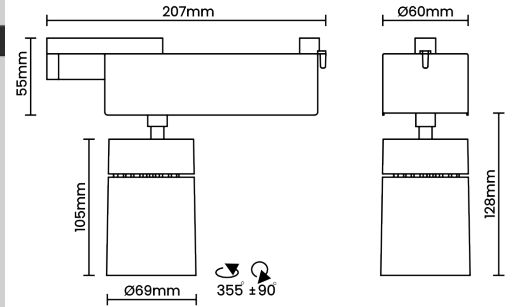
Power Factor p.f. >0.95

Ordering Details

Code Example:	Name	Watt	CCT	CRI	Angle	Finish	Control
	Mojo 50 HGB MD	15W	WW27K	CRI80	27°	SWH	DDIM

Select one from each column with highlighted values to create the ordering code

NAME	WATT	LUMEN	EFFICACY	CCT	CRI	ANGLE	FINISH	CONTROL
Mojo 50 HGB MD	15W	1235	87	2700K	WW27K	27°	White	Dali Dimmable
		1278	90	3000K	WW30K		Black	Bluetooth Dimmable
		1349	95	4000K	NW40K			Casambi
		1377	97	5700K	CW57K			
				2700K-5700K	TW			
Mojo 50 HGB MD	15W			WW27K	CRI80	27°	SWH	DDIM



Light Distribution

LED Technology

Binning 3 Step MacAdam

LED Life Time @ L80/B10 >50000 hours

Colour Rendering (CRI) CRI80,CRI90

Led Type COB

LED Fitted Cree COB LED 33V-36Vdc/300mA

Controls

Standard Switchable On/Off

Optional DDIM,BTTM,CASAMBI