

Mojo 35 48V MD | 9W

Product Reference

Environment Indoor

Installation Track Mounted

Construction & Materials

Housing Aluminium

Primary Lens -

Primary Reflector PC metallised

Secondary Reflector Anodised

Body Finish White,Black

Diffuser -

Antiglare Baffle -

Thermal Management

Heat Sink Material Die cast Aluminium

Cooling Technique Passive Cooling

Optical System

Beam Direction Adjustable

Tilt Yes

Swivel Yes

Electrical System

Driven with Constant Current Driver

Input Voltage/Hz 48V

Control Gear Included

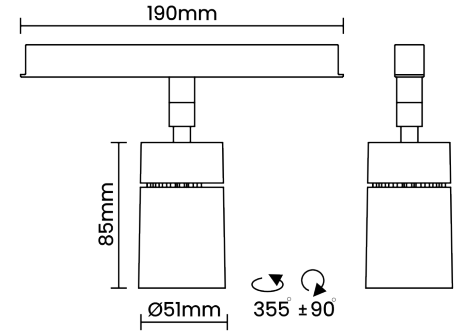
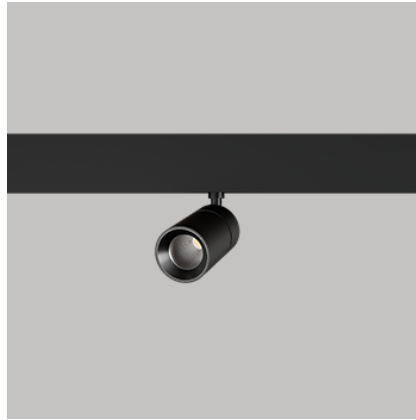
Mounting Integral

LED Power Watts 9.0W

System Power Watts -

Operating Voltage Vin 48V

Power Factor p.f. >0.95



Light Distribution

LED Technology

Binning 3 Step MacAdam

LED Life Time @ L80/B10 >50000 hours

Colour Rendering (CRI) CRI80,CRI90

Led Type COB

LED Fitted Cree COB LED 33-36Vdc/250mA

Controls

Standard Switchable On/Off

Optional DDIM,BTTM,CASAMBI

Ordering Details

Code Example:	Name	Watt	CCT	CRI	Angle	Finish	Control
	Mojo 35 48V MD	9W	WW27K	CRI80	30°	SWH	DDIM

Select one from each column with highlighted values to create the ordering code

NAME	WATT	LUMEN	EFFICACY	CCT	CRI	ANGLE	FINISH	CONTROL
Mojo 35 48V MD	9W	846	94	2700K	WW27K	30°	White	Dali Dimmable
		873	97	3000K	WW30K		Black	Bluetooth Dimmable
		918	102	4000K	NW40K			Casambi
		936	104	5700K	CW57K			
				2700K-5700K	TW			
Mojo 35 48V MD	9W			WW27K	CRI80	30°	SWH	DDIM