

# T Zee MPD 120 | 40W

## Product Reference

Environment Indoor

Installation Ceiling Recess

## Construction & Materials

Housing Extruded and Sheet Aluminium

Primary Lens -

Primary Reflector White Optics

Secondary Reflector -

Body Finish White,Black,Custom

Diffuser Microprismatic

Antiglare Baffle -

## Thermal Management

Heat Sink Material Aluminium

Cooling Technique Passive Cooling

## Optical System

Beam Direction Fixed

Tilt -

Swivel -

## Electrical System

Driven with Constant Current Driver

Input Voltage/Hz 220V- 240V/50-60Hz

Control Gear Included

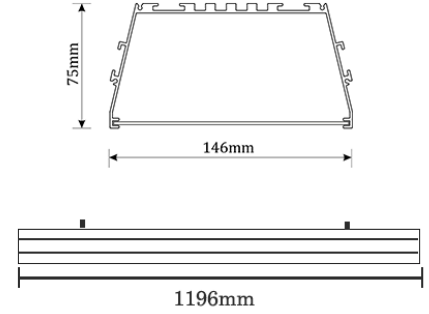
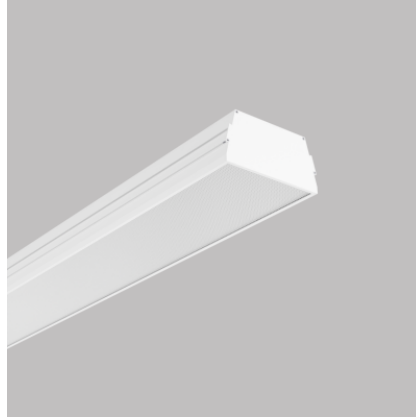
Mounting Integral

LED Power Watts 34.5W

System Power Watts 39.6W

Operating Voltage Vin 220-240Vac

Power Factor p.f. >0.95



## Light Distribution

### LED Technology

Binning 3 Step MacAdam

LED Life Time @ L80/B10 >50000 hours

Colour Rendering (CRI) CRI80,CRI90

Led Type SMD mid power

LED Fitted Osram/Samsung Mid power LED array 32V-36Vdc/1000mA

### Controls

Standard Switchable On/Off

Optional PDIM,DDIM,CASAMBI

## Ordering Details

Code Example:	Name	Watt	CCT	CRI	Angle	Finish	Control
	<b>T Zee MPD 120</b>	<b>40W</b>	<b>WW27K</b>	<b>CRI80</b>	<b>79°</b>	<b>SWH</b>	

Select one from each column with highlighted values to create the ordering code

NAME	WATT	LUMEN	EFFICACY	CCT	CRI	ANGLE	FINISH	CONTROL
<b>T Zee MPD 120</b>	<b>40W</b>	3881	98	2700K	<b>WW27K</b>	<b>79°</b>	White	<b>SWH</b>
		4000	101	3000K	<b>WW30K</b>		Black	<b>SBL</b>
		4198	106	4000K	<b>NW40K</b>		Custom	<b>CSM</b>
		4277	108	5700K	<b>CW57K</b>			
				2700K-5700K	<b>TW</b>			
<b>T Zee MPD 120</b>	<b>40W</b>			<b>WW27K</b>	<b>CRI80</b>	<b>79°</b>	<b>SWH</b>	