

# Sigma 60 WW 2-way | 2X12W

## Product Reference

Environment Indoor

Installation Ceiling Recess

## Construction & Materials

Housing Aluminium

Primary Lens -

Primary Reflector PC metallised

Secondary Reflector Anodised

Body Finish White,Black,Custom

Diffuser -

Antiglare Baffle -

## Thermal Management

Heat Sink Material Extruded Aluminium

Cooling Technique Passive Cooling

## Optical System

Beam Direction Fixed Asymmetric

Tilt -

Swivel -

## Electrical System

Driven with Constant Current Driver

Input Voltage/Hz 220V- 240V/50-60Hz

Control Gear Included

Mounting Integral

LED Power Watts 10.4W

System Power Watts 12.0W

Operating Voltage Vin 220-240Vac

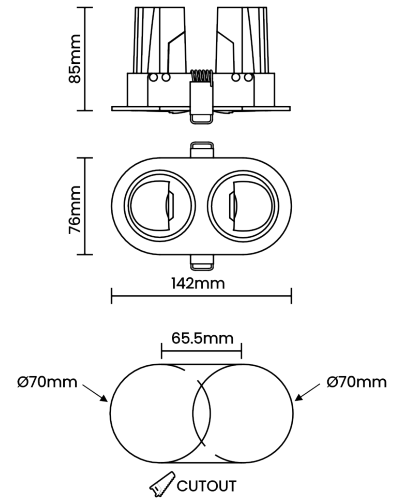
Power Factor p.f. >0.95

## Ordering Details

Code Example:	Name	Watt	CCT	CRI	Angle	Finish	Control
	<b>Sigma 60 WW 2-way</b>	<b>2x12W</b>	<b>WW27K</b>	<b>CRI80</b>	<b>Asymmetric</b>	<b>SWH</b>	<b>On/Off</b>

Select one from each column with highlighted values to create the ordering code

NAME	WATT	LUMEN	EFFICACY	CCT	CRI	ANGLE	FINISH	CONTROL			
<b>Sigma 60 WW 2-way</b>	<b>2x12W</b>	2x840	70	2700K	<b>WW27K</b>	<b>CRI80</b>	Asymmetric	White	<b>SWH</b>	Non Dimmable	<b>On/Off</b>
		2x864	72	3000K	<b>WW30K</b>			Black	<b>SBL</b>	Dali Dimmable	<b>DDIM</b>
		2x888	74	4000K	<b>NW40K</b>			Custom	<b>CSM</b>		
		2x912	76	5700K	<b>CW57K</b>						
<b>Sigma 60 WW 2-way</b>	<b>2x12W</b>			<b>WW27K</b>	<b>CRI80</b>	<b>Asymmetric</b>	<b>SWH</b>	<b>On/Off</b>			



## Light Distribution

## LED Technology

Binning 3 Step MacAdam

LED Life Time @ L80/B10 >50000 hours

Colour Rendering (CRI) CRI80

Led Type COB

LED Fitted Cree COB LED 33V-36Vdc/300mA

## Controls

Standard Switchable On/Off

Optional DDIM