

Sigma 60 WW 2-way | 2X10W

Product Reference

Environment Indoor

Installation Ceiling Recess

Construction & Materials

Housing Aluminium

Primary Lens -

Primary Reflector PC metallised

Secondary Reflector Anodised

Body Finish White,Black,Custom

Diffuser -

Antiglare Baffle -

Thermal Management

Heat Sink Material Extruded Aluminium

Cooling Technique Passive Cooling

Optical System

Beam Direction Fixed Asymmetric

Tilt -

Swivel -

Electrical System

Driven with Constant Current Driver

Input Voltage/Hz 220V- 240V/50-60Hz

Control Gear Included

Mounting Integral

LED Power Watts 8.9W

System Power Watts 10.2W

Operating Voltage Vin 220-240Vac

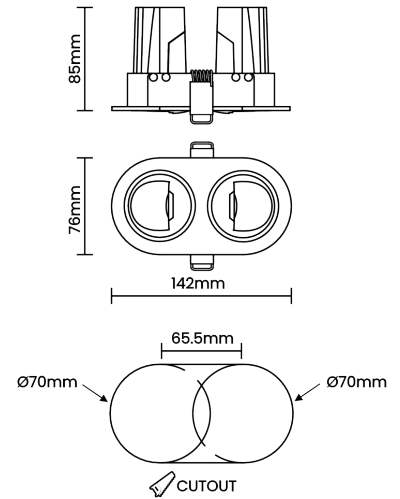
Power Factor p.f. >0.95

Ordering Details

Code Example:	Name	Watt	CCT	CRI	Angle	Finish	Control
	Sigma 60 WW 2-way	2x10W	WW27K	CRI80	Asymmetric	SWH	On/Off

Select one from each column with highlighted values to create the ordering code

NAME	WATT	LUMEN	EFFICACY	CCT	CRI	ANGLE	FINISH	CONTROL	
Sigma 60 WW 2-way	2x10W	2x734	72	2700K	WW27K	CRI80	Asymmetric	White	Non Dimmable On/Off Dali Dimmable DDIM
		2x755	74	3000K	WW30K			Black	
		2x795	78	4000K	NW40K			Custom	
		2x816	80	5700K	CW57K			CSM	
Sigma 60 WW 2-way	2x10W			WW27K	CRI80	Asymmetric	SWH	On/Off	



Light Distribution

LED Technology

Binning 3 Step MacAdam

LED Life Time @ L80/B10 >50000 hours

Colour Rendering (CRI) CRI80

Led Type COB

LED Fitted Cree COB LED 33V-36Vdc/250mA

Controls

Standard Switchable On/Off

Optional DDIM