

Sigma 60 WW 2-way | 2X8W

Product Reference

Environment Indoor

Installation Ceiling Recess

Construction & Materials

Housing Aluminium

Primary Lens -

Primary Reflector PC metallised

Secondary Reflector Anodised

Body Finish White,Black,Custom

Diffuser -

Antiglare Baffle -

Thermal Management

Heat Sink Material Extruded Aluminium

Cooling Technique Passive Cooling

Optical System

Beam Direction Fixed Asymmetric

Tilt -

Swivel -

Electrical System

Driven with Constant Current Driver

Input Voltage/Hz 220V- 240V/50-60Hz

Control Gear Included

Mounting Integral

LED Power Watts 7.0

System Power Watts 8.0

Operating Voltage Vin 220-240Vac

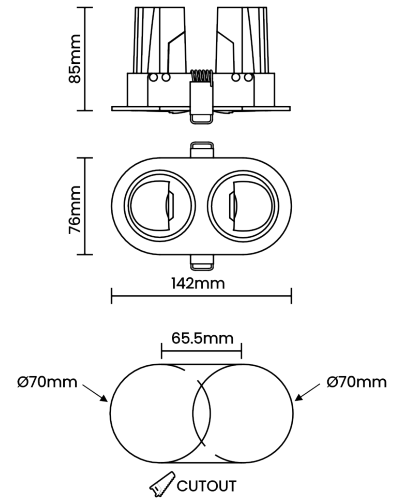
Power Factor p.f. >0.95

Ordering Details

Code Example:	Name	Watt	CCT	CRI	Angle	Finish	Control
	Sigma 60 WW 2-way	2x8W	WW27K	CRI80	Asymmetric	SWH	On/Off

Select one from each column with highlighted values to create the ordering code

NAME	WATT	LUMEN	EFFICACY	CCT	CRI	ANGLE	FINISH	CONTROL
Sigma 60 WW 2-way	2x8W	2x600	75	2700K	WW27K	Asymmetric	White	Non Dimmable
		2x616	77	3000K	WW30K		Black	Dali Dimmable
		2x648	81	4000K	NW40K		Custom	DDIM
		2x664	83	5700K	CW57K		CSM	
Sigma 60 WW 2-way	2x8W			WW27K	CRI80	Asymmetric	SWH	On/Off



Light Distribution

LED Technology

Binning 3 Step MacAdam

LED Life Time @ L80/B10 >50000 hours

Colour Rendering (CRI) CRI80

Led Type COB

LED Fitted Cree COB LED 33V-36Vdc/180mA

Controls

Standard Switchable On/Off

Optional DDIM