

# Sigma 80 WW | 18W

## Product Reference

Environment Indoor

Installation Ceiling Recess

## Construction & Materials

Housing Aluminium

Primary Lens -

Primary Reflector PC metallised

Secondary Reflector Anodised

Body Finish White,Black

Diffuser -

Antiglare Baffle -

## Thermal Management

Heat Sink Material Extruded Aluminium

Cooling Technique Passive Cooling

## Optical System

Beam Direction Fixed Asymmetric

Tilt No

Swivel No

## Electrical System

Driven with Constant Current Driver

Input Voltage/Hz 220V- 240V/50-60Hz

Control Gear Included

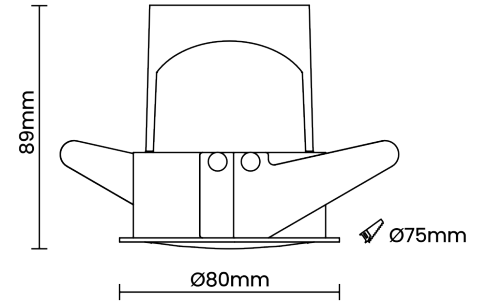
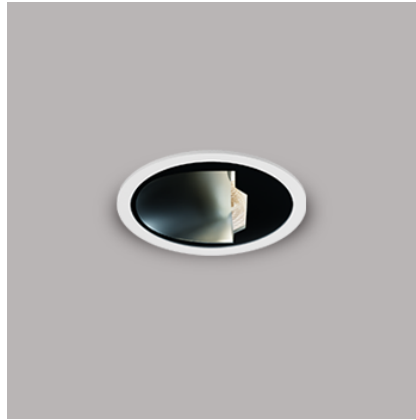
Mounting Integral

LED Power Watts 15.7W

System Power Watts 18.1W

Operating Voltage Vin 220-240Vac

Power Factor p.f. >0.95



## Light Distribution

## LED Technology

Binning 3 Step MacAdam

LED Life Time @ L80/B10 >50000 hours

Colour Rendering (CRI) CRI80,CRI90

Led Type COB

LED Fitted Cree COB LED 33V-36Vdc/450mA

## Controls

Standard Switchable On/Off

Optional PDIM,DDIM,BTDM

## Ordering Details

Code Example:	Name	Watt	CCT	CRI	Angle	Finish	Control
	<b>Sigma 80 WW</b>	<b>18W</b>	<b>WW27K</b>	<b>CRI80</b>	<b>Asymmetric</b>	<b>SWH</b>	<b>On/Off</b>

Select one from each column with highlighted values to create the ordering code

NAME	WATT	LUMEN	EFFICACY	CCT	CRI	ANGLE	FINISH	CONTROL
<b>Sigma 80 WW</b>	<b>18W</b>	1321	73	2700K <b>WW27K</b>	<b>CRI80</b>	Asymmetric	White <b>SWH</b>	Non Dimmable <b>On/Off</b>
		1358	75	3000K <b>WW30K</b>	CRI90		Black <b>SBL</b>	Phase Dimmable <b>PDIM</b>
		1430	79	4000K <b>NW40K</b>				Dali Dimmable <b>DDIM</b>
		1466	81	5700K <b>CW57K</b>				Bluetooth Dimmable <b>BTDM</b>
<b>Sigma 80 WW</b>	<b>18W</b>			<b>WW27K</b>	<b>CRI80</b>	<b>Asymmetric</b>	<b>SWH</b>	<b>On/off</b>