

# Sigma 60 2-way | 2X12W

## Product Reference

Environment Indoor

Installation Ceiling Recess

## Construction & Materials

Housing Aluminium

Primary Lens -

Primary Reflector PC metallised

Secondary Reflector Anodised

Body Finish White,Black

Diffuser -

Antiglare Baffle -

## Thermal Management

Heat Sink Material Die cast Aluminium

Cooling Technique Passive Cooling

## Optical System

Beam Direction Fixed

Tilt No

Swivel No

## Electrical System

Driven with Constant Current Driver

Input Voltage/Hz 220V- 240V/50-60Hz

Control Gear Included

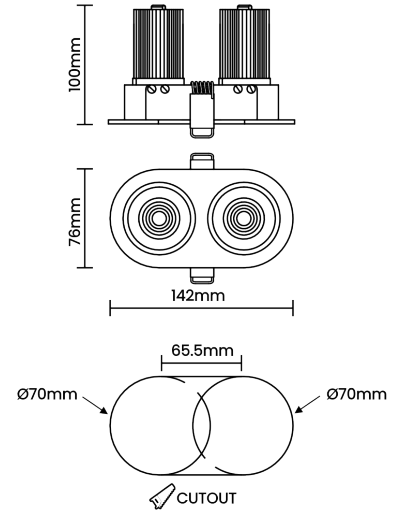
Mounting Integral

LED Power Watts 20.8W

System Power Watts 23.8W

Operating Voltage Vin 220-240Vac

Power Factor p.f. >0.95



## Light Distribution

## LED Technology

Binning 3 Step MacAdam

LED Life Time @ L80/B10 >50000 hours

Colour Rendering (CRI) CRI80,CRI90

Led Type -

LED Fitted Cree COB LED 33V-36Vdc/300mA

## Controls

Standard Switchable On/Off

Optional DDIM

## Ordering Details

Code Example:	Name	Watt	CCT	CRI	Angle	Finish	Control
	<b>Sigma 60 2-way</b>	<b>2x12W</b>	<b>WW27K</b>	<b>CRI80</b>	<b>29°(MD)</b>	<b>SWH</b>	<b>On/Off</b>

Select one from each column with highlighted values to create the ordering code

NAME	WATT	LUMEN	EFFICACY	CCT	CRI	ANGLE	FINISH	CONTROL
<b>Sigma 60 2-way</b>	<b>2x12W</b>	2x905	74	2700K	<b>WW27K</b>	<b>CRI80</b>	29°(MD) 29°(MD)	White <b>SWH</b> Non Dimmable <b>On/Off</b>
		2x929	76	3000K	<b>WW30K</b>	CRI90	42°(WD) 42°(WD)	Black <b>SBL</b> Phase Dimmable <b>PDIM</b>
		2x976	80	4000K	<b>NW40K</b>		62°(VWD) 62°(VWD)	Dali Dimmable <b>DDIM</b>
		2x1000	82	5700K	<b>CW57K</b>			
<b>Sigma 60 2-way</b>	<b>2x12W</b>			<b>WW27K</b>	<b>CRI80</b>	<b>29°(MD)</b>	<b>SWH</b>	<b>On/Off</b>